

UL US LISTED  
POWER VENTILATOR  
45GD

# ILF Series

InLine Centrifugal Fan

直線型後傾離心式風機 極致風動 · 超越巔峰  
箱型無殼風機

封面風機顏色僅供參考



**FLOWTECH**  
賜鼎實業股份有限公司





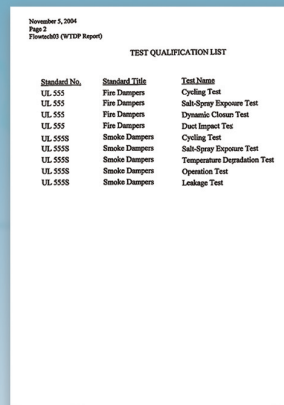
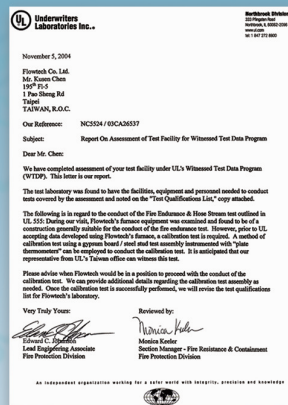
# 世·界·級·的·認·證

## GLOBALLY RECOGNIZED CERTIFICATIONS AND STANDARDS

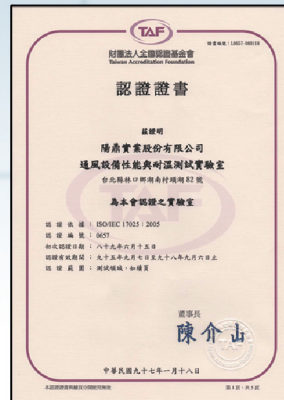
### 通風設備性能與耐溫測試實驗室

### Ventilation Performance and Smoke Management Laboratory

舉凡通風設備產品如風機、風門所需之性能及品質要求，皆可由本實驗室提供一系列完整的測試服務。並在財團法人全國認證TAF基金會的品質及技術要求監督下，獨立並公正執行每項測試。因此，國內公共工程及消防安全之相關通風設備產品，不必再千里迢迢將產品送到國外測試，也不需業主及顧問公司人員舟車勞頓至國外見證，節省更多的時間費用。



亞洲唯一UL認證實驗室



實驗室TAF證書



**常溫風機性能測試設備**  
Fan Performance Testing Facility

測試標準(Standards)

- AMCA 210
- ISO 5801
- CNS 7778
- BS 848-1
- DIN 24163-2

**風門、百葉壓損測試設備**  
Louver Pressure Drop Testing Facility

測試標準(Standards)

- AMCA 500

**隧道通風機振動/推力測試設備**  
Jet Fan Thrust Testing Facility

測試標準(Standards)

- ISO 13350
- BS 848-10

**排煙閘門洩漏測試設備**  
Smoke Damper Leakage Testing Facility

測試標準(Standards)

- AMCA 500
- UL 555S
- ISO 10294
- GB 15930

**消音箱/消音百葉測試設備**  
Silencer / Acoustical Louver Testing Facility

測試標準(Standards)

- ASTM-E477
- ISO 7235

**防火風門測試設備**  
Fire Damper Testing Facility

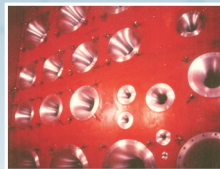
測試標準(Standards)

- UL 555

|             |             |               |               |               |
|-------------|-------------|---------------|---------------|---------------|
| <b>測試標準</b> | ● AMCA 210  | ● ASHRAE 149  | ● BS 848-10   | ● ISO 7235    |
|             | ● AMCA 300  | ● DIN 24163-2 | ● GA 211      | ● ISO 10294   |
|             | ● AMCA 500  | ● BS 7346-2   | ● GB 15930    | ● ISO 13350   |
|             | ● AS 4429   | ● BS 848-1    | ● EN 12101-3  | ● UL 555      |
|             | ● ASTM-E477 | ● BS 848-2    | ● ISO 5801    | ● UL 555S     |
|             | ● CNS 7778  | ● CNS7779-2   | ● ISO 13347-2 | ● ISO 21927-3 |



全響室迴風道出口  
Exhaust Duct exit of Reverberant



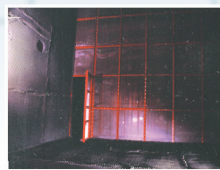
流量噴嘴  
Multiple Nozzles for Flow Measurement



全響室迴風道裝置  
Silencer in Exhaust Duct



全響室  
Reverberant Room  
360°旋轉噪音器  
360°Routing Microphone in Reverberant



整流裝置  
Flow Straightener







# ILF

InLine Centrifugal Fan

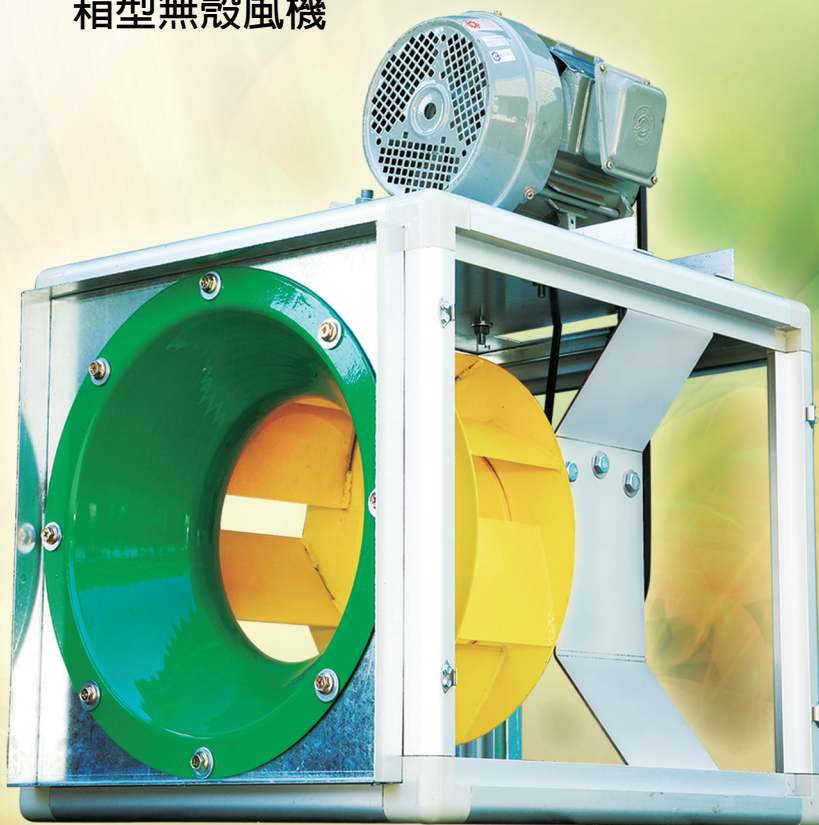
Flowtech®  
**Series**

直線型後傾離心式風機

箱型無殼風機

Flowtech Co., Ltd. certifies that Model ILF & ILF-D shown herein are licensed to bear the AMCA Seal. The ratings shown are based on tests and procedures performed in accordance with AMCA Publication 211 and AMCA Publication 311 and comply with requirements of the AMCA Certified Ratings Program.

陽鼎實業股份有限公司特此證明，此處所示ILF和ILF-D系列獲得了加蓋AMCA印章的授權。所示額定值系根據AMCA出版物211和AMCA出版物311所進行測試和程序確定，並符合AMCA認證額定值計劃的要求。



風機顏色僅供參考



POWER VENTILATOR  
45GD

ILF Series are listed for electrical  
(UL/cUL 705) File no. E323432

ILF全系列通過UL/cUL 705產品認證。

檔案號碼E323432



# ILF Series 直線型後傾離心式風機

## ILF Series Single Inlet Centrifugal Fans Backward wheels

### ILF 系列 使用單向入口的後傾式離心葉輪

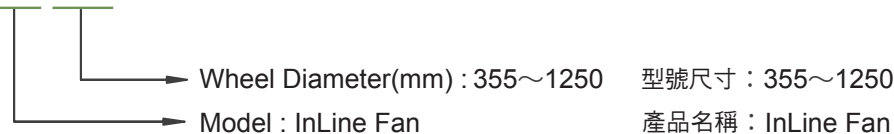
The ILF series is InLine centrifugal Fans with high efficiency through ducted air system. The backward centrifugal wheel assures efficient operation against the resistance of a ducted application. The square housing design adapts easily to square and rectangular ducts. The ILF series is SWSI centrifugal fans with high efficiency non-overloading backward impellers. Sizes of this series are in accordance with AMCA standard 99.

ILF系列指的是直線型後傾離心式風機，藉由箱體去提高效率，使用後傾式離心葉輪能輕易的克服摩擦力阻抗有效率的運作。而方形的箱體也容易跟兩方向的風管進行連接。ILF系列為單吸離心式風機（SWSI），其葉輪為高效率無超載的後傾式葉輪。該系列的規格是根據AMCA 99標準設計。

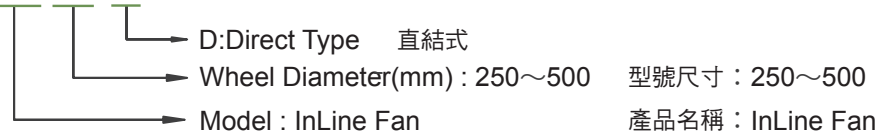
## Designation ,Formula signs

### 型號定義

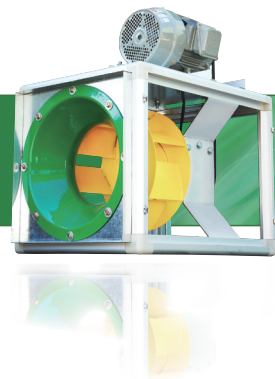
**ILF - 630**



**ILF - 25 D**

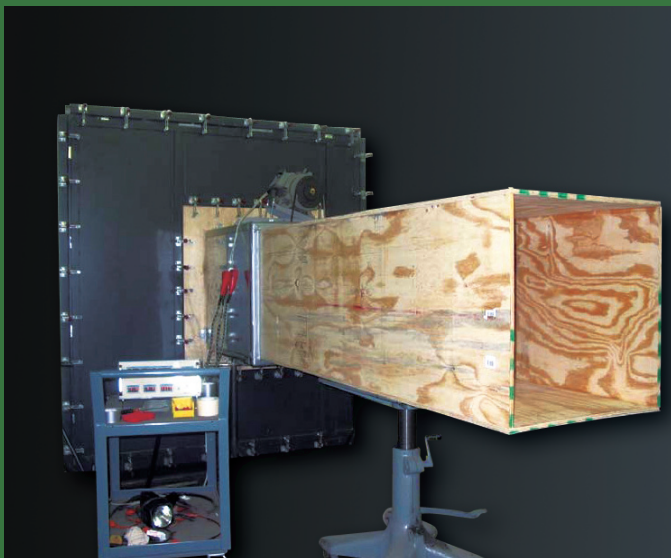
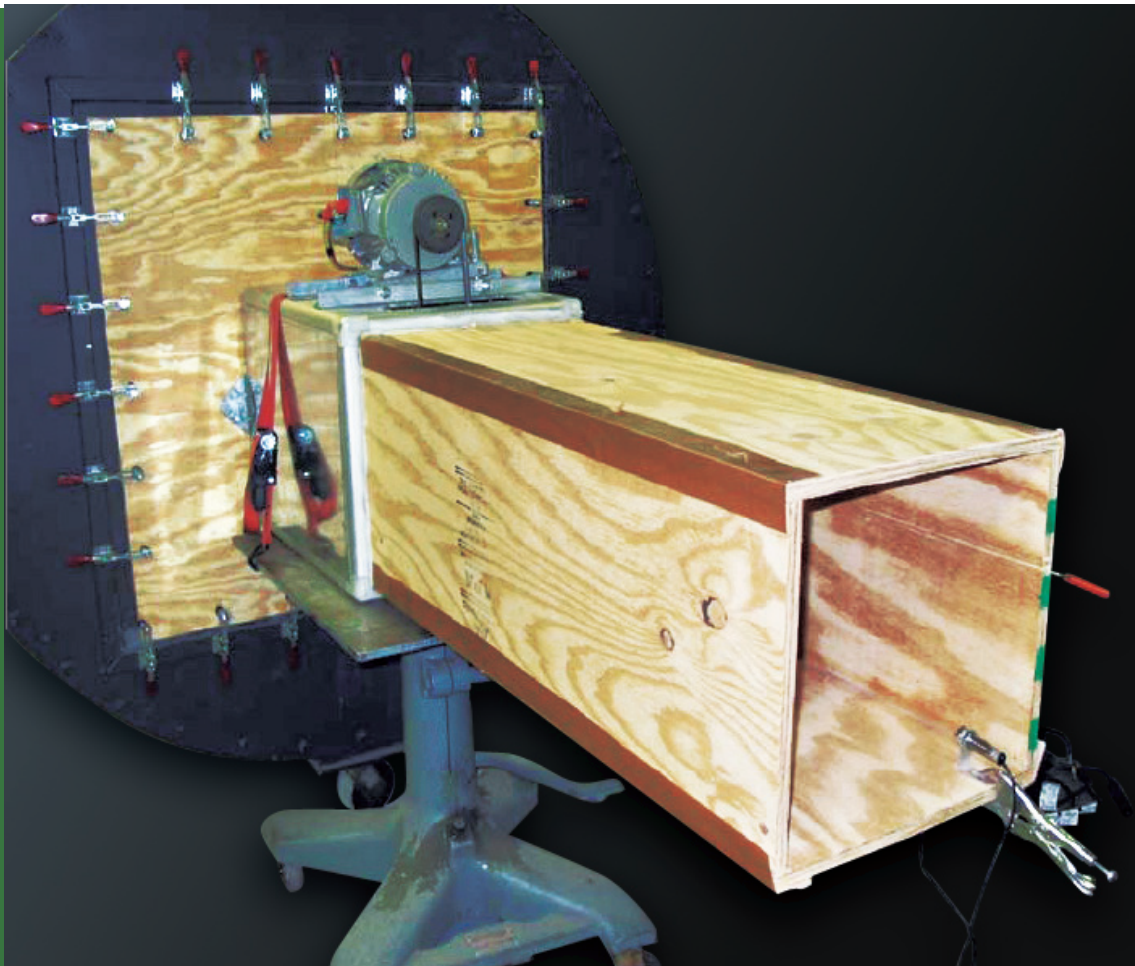






## ILF Series Air and Sound Performance Test In Laboratory

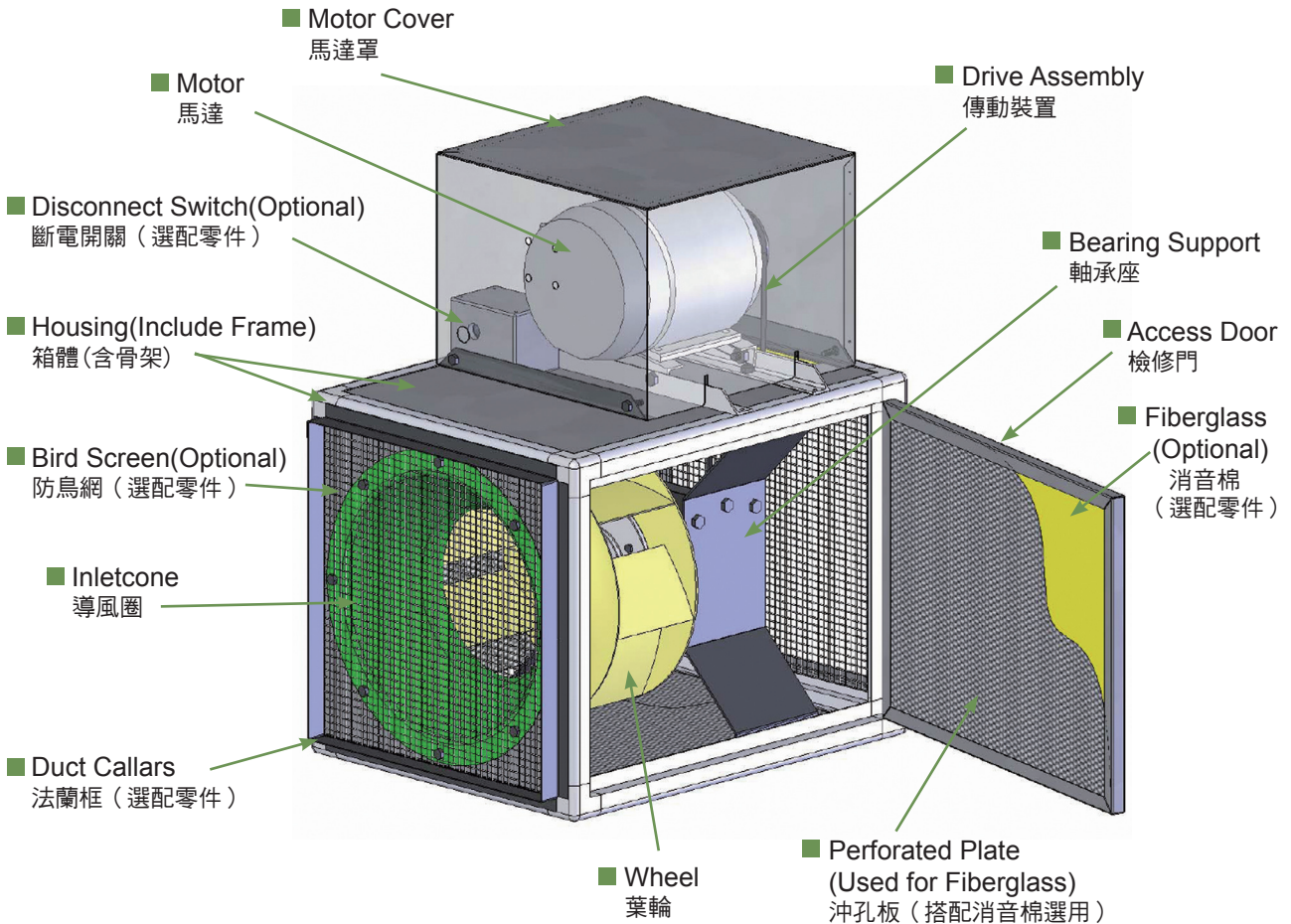
直線型後傾離心式風機性能及噪音在實驗室測試照片





# Construction Features

## 結構特徵



### Housing 箱體

■ The Fan Housing is constructed of Aluminum alloy or others structural members and formed galvanized steel、stainless steel or other panels. Aluminum construction have several sizes, it can use in all series. The galvanized steel panels can use fiberglass to decrease noise.

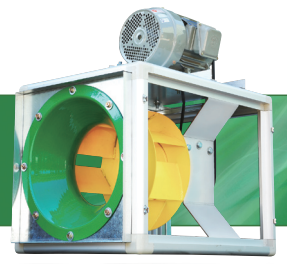
箱體由鋁合金或其他材質骨架及鍍鋅鋼、不銹鋼或其他材質板件來建構。亦可由不銹鋼或其他材質來製作整組箱體。鋁合金骨架有多種尺寸，可使用在全系列風機型號上。鍍鋅側板加消音棉，藉此降低風機運轉的噪音。箱體另有多種材質可供選擇。

### Centrifugal Wheel 葉輪

■ Wheel are non overloading, backward inclined centrifugal type. Wheel cones are carefully matched to the venture for maximum efficiency. Each wheel are statically and dynamically balanced to ISO 1940 and AMCA 204-G2.5 standards. Centrifugal Wheel is made of mild steel、stainless steel、aluminum alloy or others, and could be anodized film and painted.

葉輪不會過載設計，葉片為後傾式。每個葉輪都需要經過ISO1940或AMCA 204-G2.5標準的動態及靜態平衡校正。葉輪的材質可用一般鋼材、不銹鋼、鋁合金或其他材質製作，並施以陽極或烤漆處理。





### Inletcone 導風圈

- The Inletcone is made of mild steel、stainless steel、aluminum alloy or others. The aerodynamically inletcones are bolted in and guarantee a perfect inlet stream onto the impeller. Inletcone also could be anodized film and painted to prevent corrosion.

導風圈的材質可使用一般鋼材、不銹鋼、鋁合金或其他材質製作。使用喇叭口型(鐘型)導風圈的用意是使氣流能快速的進入葉輪並且流暢的將氣流往後送出去。入風口並施以陽極或烤漆處理可防止腐蝕。

### Shaft 軸心

- Shafts are manufactured from stainless steel or ISO C45(JIS S45C ; AISI C1045) carbon steel then coated with an anti-corrosion varnish after assembly. Shaft makes contact with bearings, close tolerances result in longer bearing life. Shaft is precisely sized, ground, and polished so the first critical speed is at least 25% over the maximum operating speed.

軸心是以不銹鋼或ISO C45碳鋼(JIS S45C ; AISI C1045)加工製作而成，且在組裝前後要塗上防止生鏽或腐蝕的塗料。軸心經車削研磨和拋光處理而成能緊密與軸承結合，延長軸承壽命。軸心長短依風機型號大小裁切，且能承受指定轉速的125%而不斷裂。

### Bearings 軸承

- Bearings basic rating level according to AFBMA. Designed for minimum L10 life in exceeds 45,000 hours , L50 life in exceeds 225,000 hours. Bearing are selected for continuous operation and ample size for best possible operating results.

軸承等級符合AFBMA(抗磨軸承生產協會)；軸承壽命可達L10=45,000小時，L50=225,000小時。軸承的功用是針對需要持續不斷運轉的機構所使用，使其達到最好的效率。

### Motor 馬達

- Motor - Carefully matched to the fan load and is mounted out of air stream. Less transferring inertia, more accelerating torque, that can improve working efficiency for starting, stopping with frequent machine. Adopt IEC (International Electrotechnical Commission ) NEMA (National Electrical Manufacturers Association) international standard size. Adopt heat-resistant, water tolerance, E/B/F grade insulating material able to bear chemistry, the safe durable life-span is the longest.

馬達配合風機選用，其轉部慣性小、加速轉矩大，對於起動、停止頻繁之機器可提高其工作效率且馬達設計採IEC(International Electrotechnical Commission)及NEMA制定之國際標準尺寸，具國際互換性，並採用耐熱、耐濕、耐化學之E/B/F級絕緣材料，安全耐用壽命最長。馬達底座為可調整節距設計，快速調整皮帶鬆緊。

### Belt Drives 皮帶輪組

- Belt and Drive(Belt units only). Belts shall be heat and oil resistant, non-static type. Drives shall be precision machined cast iron type, keyed and securely attached to the wheel and motor shafts. Drives shall be sized for 150% of the installed motor horsepower.

皮帶型號適用-皮帶為防靜電型式且抗熱、抗油性，皮帶鬆緊可由葉輪或馬達端調整。皮帶設計負載至少為制動馬力的1.5倍。皮帶輪採推拔式固定(Tape Lock)，安裝快速。

### Birdscreen 防鳥網

- A birdscreen. The birdscreen produces minimal effect on air. And sound performance.

The size may be 10~20 mm square mesh or another size . The birdscreen material could be galvanized sheet metal or stainless steel.

防鳥網(不銹鋼防護網)可防止鳥類不小心進入風機內部而造成風機損壞。防鳥網安裝與否對於風機性能及噪音影響並不大。防鳥網尺寸為10~20mm正方形網格， $\varnothing 1.2\text{mm}$ 鍍鋅鐵/鋼或不銹鋼材質，另有多種孔目尺寸及材質可選擇。

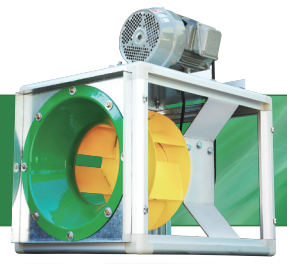
### Additional Component 選購配備

- Disconnect Switch-It has two kinds of model, one is no fuse switch, another is cut out switch.

斷電開關有兩種型式，一種為無熔絲開關，另外一種為一般斷電開關。



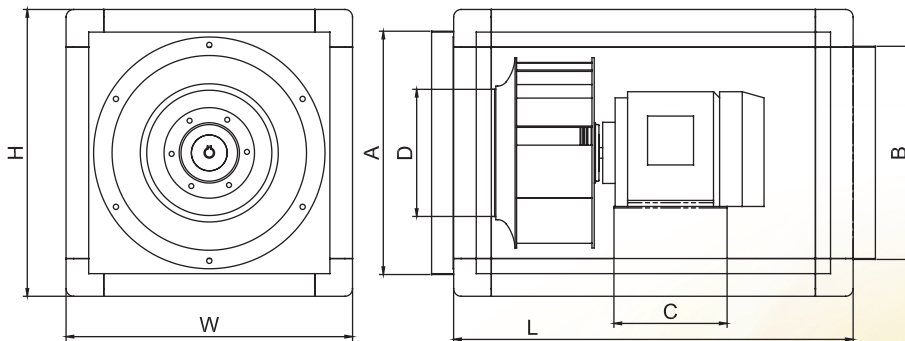




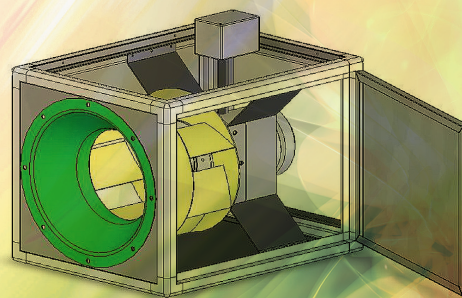
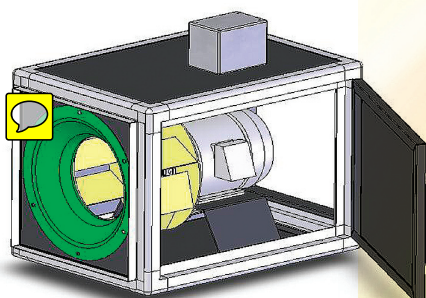
## Explanation of symbols 符號說明

| Symbol 符號 | Appellation 名稱                                       | Unit 單位             |
|-----------|--|---------------------|
| Q         | Air flow 流量  | m <sup>3</sup> /min |
| Ps        | Static pressure 靜壓力                                  | mmAq                |
| H         | Fan power requirement 功率                             | KW                  |
| r         | Density of the medium 輸送介質密度                         | Kg/m <sup>3</sup>   |
| Lwo       | Sound power level at outlet 風機出口聲功率                  | dB                  |
| LwoA      | Sound power level at outlet, A-weighted 風機出口聲功率，經A加權 | dB                  |

## ILF Series Performance and sound Data ILF系列性能特性表

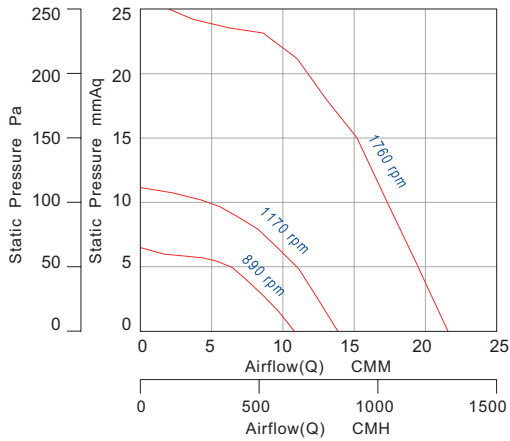


| Model<br>ILF | Dimensions in millimeter尺寸(mm) |     |     |       |     |     |     | Outlet Area<br>出口面積(m <sup>2</sup> ) |
|--------------|--------------------------------|-----|-----|-------|-----|-----|-----|--------------------------------------|
|              | A                              | B   | C   | D     | W   | H   | L   |                                      |
| ILF-25D      | 320                            | 280 | 150 | 166   | 380 | 380 | 530 | 0.08                                 |
| ILF-28D      | 365                            | 325 | 168 | 186   | 425 | 425 | 560 | 0.11                                 |
| ILF-31D      | 440                            | 380 | 189 | 209   | 480 | 480 | 610 | 0.14                                 |
| ILF-35D      | 430                            | 390 | 150 | 226.5 | 490 | 490 | 620 | 0.15                                 |
| ILF-40D      | 495                            | 455 | 169 | 256   | 555 | 555 | 700 | 0.21                                 |
| ILF-45D      | 560                            | 520 | 190 | 287   | 620 | 620 | 786 | 0.27                                 |
| ILF-50D      | 630                            | 550 | 211 | 318   | 690 | 690 | 873 | 0.30                                 |

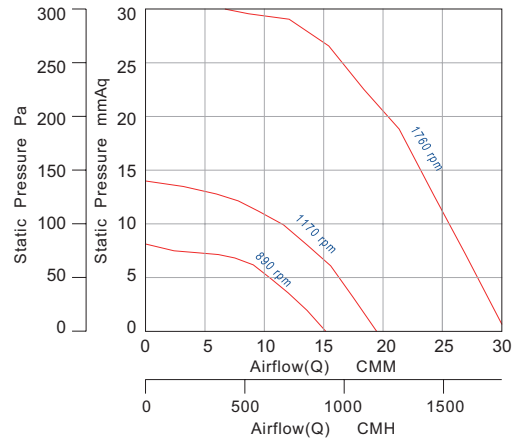




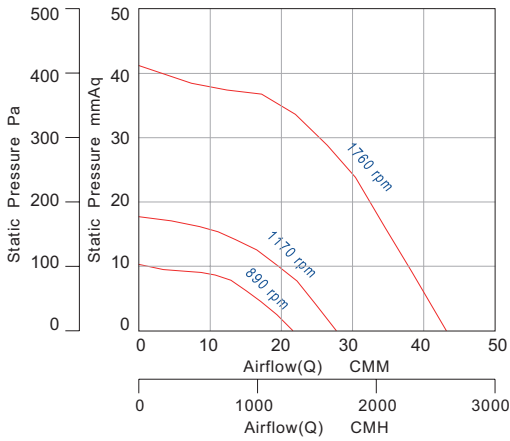
**ILF-25D**



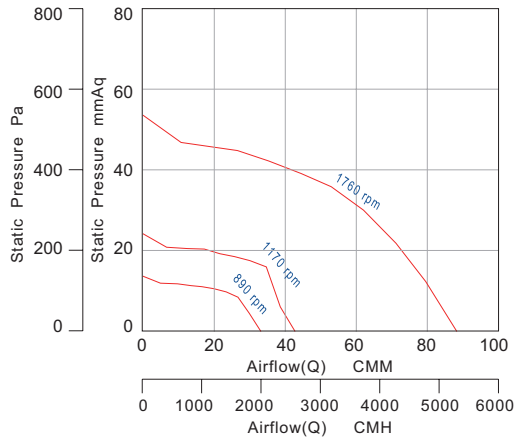
**ILF-28D**



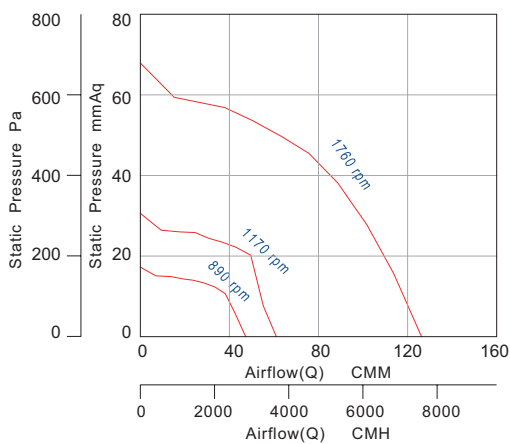
**ILF-31D**



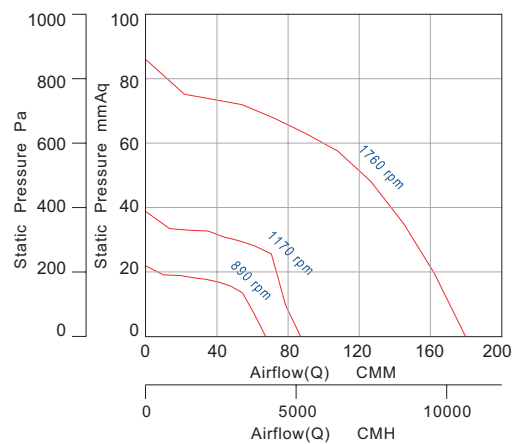
**ILF-35D**



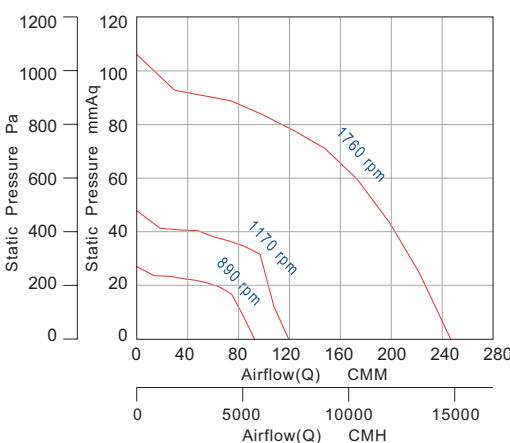
**ILF-40D**



**ILF-45D**

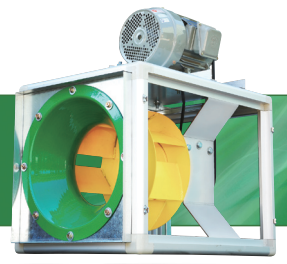


**ILF-50D**



| 風機型號<br>ILF | 風機能效等級<br>Fan Efficiency Grades |         |        |
|-------------|---------------------------------|---------|--------|
|             | 1760rpm                         | 1170rpm | 890rpm |
|             | ILF-25D                         | 60      | 75     |
| ILF-28D     | 56                              | 71      | 63     |
| ILF-31D     | 56                              | 67      | 60     |
| ILF-35D     | 63                              | 71      | 80     |
| ILF-40D     | 63                              | 67      | 75     |
| ILF-45D     | 60                              | 67      | 75     |
| ILF-50D     | 60                              | 67      | 75     |

Performance certified is for installation type B- Free inlet, Ducted outlet.  
Performance ratings do not include the effects of appurtenances (accessories).  
經認證的性能是B類安裝-自由入口、管道出口。各項性能額定值不包括附屬物(附件)的影響。



| 風機型號    | 轉速<br>RPM |          | STATIC PRESSURE (Ps) 靜壓 · mmAq |       |       |       |       |    |    |    |
|---------|-----------|----------|--------------------------------|-------|-------|-------|-------|----|----|----|
|         |           |          | 5                              | 10    | 20    | 30    | 40    | 50 | 60 | 70 |
| ILF-25D | 1760      | Q, CMM   | 19.48                          | 17.32 | 11.75 |       |       |    |    |    |
|         |           | H, KW    | 0.14                           | 0.15  | 0.15  |       |       |    |    |    |
|         |           | Lwo, dB  | 98                             | 98    | 99    |       |       |    |    |    |
|         |           | LwoA, dB | 80                             | 80    | 81    |       |       |    |    |    |
| ILF-25D | 1170      | Q, CMM   | 10.96                          | 4.72  |       |       |       |    |    |    |
|         |           | H, KW    | 0.03                           | 0.03  |       |       |       |    |    |    |
|         |           | Lwo, dB  | 87                             | 86    |       |       |       |    |    |    |
|         |           | LwoA, dB | 67                             | 66    |       |       |       |    |    |    |
| ILF-28D | 1760      | Q, CMM   | 27.96                          | 25.57 | 20.42 |       |       |    |    |    |
|         |           | H, KW    | 0.25                           | 0.26  | 0.26  |       |       |    |    |    |
|         |           | Lwo, dB  | 103                            | 103   | 102   |       |       |    |    |    |
|         |           | LwoA, dB | 83                             | 83    | 83    |       |       |    |    |    |
| ILF-28D | 1170      | Q, CMM   | 16.29                          | 11.46 |       |       |       |    |    |    |
|         |           | H, KW    | 0.06                           | 0.06  |       |       |       |    |    |    |
|         |           | Lwo, dB  | 90                             | 89    |       |       |       |    |    |    |
|         |           | LwoA, dB | 70                             | 69    |       |       |       |    |    |    |
| ILF-31D | 1760      | Q, CMM   | 40.52                          | 37.86 | 32.46 | 24.95 |       |    |    |    |
|         |           | H, KW    | 0.45                           | 0.46  | 0.47  | 0.48  |       |    |    |    |
|         |           | Lwo, dB  | 106                            | 106   | 105   | 105   |       |    |    |    |
|         |           | LwoA, dB | 86                             | 86    | 86    | 86    |       |    |    |    |
| ILF-31D | 1170      | Q, CMM   | 24.16                          | 19.57 |       |       |       |    |    |    |
|         |           | H, KW    | 0.11                           | 0.11  |       |       |       |    |    |    |
|         |           | Lwo, dB  | 94                             | 93    |       |       |       |    |    |    |
|         |           | LwoA, dB | 74                             | 72    |       |       |       |    |    |    |
| ILF-31D | 890       | Q, CMM   | 16.51                          |       |       |       |       |    |    |    |
|         |           | H, KW    | 0.06                           |       |       |       |       |    |    |    |
|         |           | Lwo, dB  | 88                             |       |       |       |       |    |    |    |
|         |           | LwoA, dB | 70                             |       |       |       |       |    |    |    |
| ILF-35D | 1760      | Q, CMM   | 84.72                          | 81.18 | 72.76 | 62.03 | 41.78 |    |    |    |
|         |           | H, KW    | 0.91                           | 0.96  | 1.02  | 1.06  | 0.95  |    |    |    |
|         |           | Lwo, dB  | 88                             | 87    | 86    | 88    | 91    |    |    |    |
|         |           | LwoA, dB | 83                             | 81    | 80    | 77    | 76    |    |    |    |
| ILF-35D | 1170      | Q, CMM   | 39.29                          | 37.01 | 18.52 |       |       |    |    |    |
|         |           | H, KW    | 0.19                           | 0.23  | 0.20  |       |       |    |    |    |
|         |           | Lwo, dB  | 87                             | 86    | 91    |       |       |    |    |    |
|         |           | LwoA, dB | 71                             | 70    | 70    |       |       |    |    |    |
| ILF-35D | 890       | Q, CMM   | 29.40                          | 22.16 |       |       |       |    |    |    |
|         |           | H, KW    | 0.08                           | 0.10  |       |       |       |    |    |    |
|         |           | Lwo, dB  | 83                             | 83    |       |       |       |    |    |    |
|         |           | LwoA, dB | 66                             | 66    |       |       |       |    |    |    |

Performance certified is for Installation type B-Free inlet, ducted outlet. Performance ratings do not include the effects of appurtenances (accessories). The A-weighted sound ratings shown have been calculated per AMCA International Standard 301. Values shown are for outlet Lwo and LwoA sound power levels for installation type B-Free inlet, ducted outlet. Ratings include the effects of duct end correction. The sound power level ratings shown are in decibels, referred to 10<sup>-12</sup> watts, calculated per AMCA International Standard 301.

經認證的性能是B類安裝-自由入口·管道出口。各項性能額定值不包括附屬物(附件)的影響。

所示A加權聲音性能額定值已按AMCA International標準301計算。所示值為安裝類型B:自由入口·管道出口的聲功率級(出口Lwo和出口LwoA)。

額定值包括管道端部校正影響。所示聲功率級額定值以分貝為單位。參考聲功率為10<sup>-12</sup>瓦。按照AMCA International標準301計算。

Lwo : Sound power level transmitted to the outlet duct from fan 風機聲功率由出口管傳送測得

LwoA : Sound power level at outlet, A-weighted 風機出口聲功率, 經A加權



| 風機型號    | 轉速<br>RPM |          | STATIC PRESSURE (Ps) 靜壓 · mmAq |        |        |        |        |        |       |       |
|---------|-----------|----------|--------------------------------|--------|--------|--------|--------|--------|-------|-------|
|         |           |          | 5                              | 10     | 20     | 30     | 40     | 50     | 60    | 70    |
| ILF-40D | 1760      | Q, CMM   | 122.26                         | 118.28 | 109.44 | 98.89  | 85.37  | 62.36  |       |       |
|         |           | H, KW    | 1.64                           | 1.71   | 1.81   | 1.88   | 1.91   | 1.76   |       |       |
|         |           | Lwo, dB  | 91                             | 91     | 90     | 89     | 91     | 95     |       |       |
|         |           | LwoA, dB | 86                             | 85     | 84     | 82     | 81     | 79     |       |       |
| ILF-40D | 1170      | Q, CMM   | 57.23                          | 54.15  | 49.67  |        |        |        |       |       |
|         |           | H, KW    | 0.34                           | 0.39   | 0.49   |        |        |        |       |       |
|         |           | Lwo, dB  | 91                             | 90     | 90     |        |        |        |       |       |
|         |           | LwoA, dB | 75                             | 74     | 71     |        |        |        |       |       |
| ILF-40D | 890       | Q, CMM   | 43.22                          | 38.76  |        |        |        |        |       |       |
|         |           | H, KW    | 0.13                           | 0.18   |        |        |        |        |       |       |
|         |           | Lwo, dB  | 86                             | 82     |        |        |        |        |       |       |
|         |           | LwoA, dB | 69                             | 68     |        |        |        |        |       |       |
| ILF-45D | 1760      | Q, CMM   | 175.27                         | 170.79 | 161.77 | 150.59 | 137.94 | 122.79 | 99.78 | 62.48 |
|         |           | H, KW    | 2.94                           | 3.03   | 3.20   | 3.32   | 3.41   | 3.45   | 3.31  | 2.75  |
|         |           | Lwo, dB  | 95                             | 95     | 94     | 93     | 96     | 96     | 98    | 98    |
|         |           | LwoA, dB | 90                             | 89     | 88     | 87     | 86     | 84     | 83    | 83    |
| ILF-45D | 1170      | Q, CMM   | 82.64                          | 78.44  | 73.40  | 50.05  |        |        |       |       |
|         |           | H, KW    | 0.59                           | 0.66   | 0.81   | 0.77   |        |        |       |       |
|         |           | Lwo, dB  | 95                             | 94     | 93     | 98     |        |        |       |       |
|         |           | LwoA, dB | 79                             | 78     | 76     | 76     |        |        |       |       |
| ILF-45D | 890       | Q, CMM   | 62.75                          | 57.88  |        |        |        |        |       |       |
|         |           | H, KW    | 0.21                           | 0.29   |        |        |        |        |       |       |
|         |           | Lwo, dB  | 90                             | 87     |        |        |        |        |       |       |
|         |           | LwoA, dB | 73                             | 72     |        |        |        |        |       |       |
| ILF-50D | 1170      | Q, CMM   | 114.49                         | 109.69 | 103.31 | 97.72  | 50.02  |        |       |       |
|         |           | H, KW    | 0.98                           | 1.08   | 1.28   | 1.48   | 1.10   |        |       |       |
|         |           | Lwo, dB  | 98                             | 97     | 96     | 96     | 101    |        |       |       |
|         |           | LwoA, dB | 82                             | 81     | 80     | 78     | 80     |        |       |       |
| ILF-50D | 890       | Q, CMM   | 87.28                          | 82.04  | 60.93  |        |        |        |       |       |
|         |           | H, KW    | 0.32                           | 0.44   | 0.54   |        |        |        |       |       |
|         |           | Lwo, dB  | 93                             | 93     | 92     |        |        |        |       |       |
|         |           | LwoA, dB | 76                             | 75     | 74     |        |        |        |       |       |

Performance certified is for Installation type B-Free inlet, ducted outlet. Performance ratings do not include the effects of appurtenances(accessories). The A-weighted sound ratings shown have been calculated per AMCA International Standard 301. Values shown are for outlet Lwo and LwoA sound power levels for installation type B-Free inlet, ducted outlet. Ratings include the effects of duct end correction. The sound power level ratings shown are in decibels, referred to 10<sup>-12</sup> watts, calculated per AMCA International Standard 301.

經認證的性能是B類安裝·自由入口·管道出口·各項性能額定值不包括附屬物(附件)的影響。

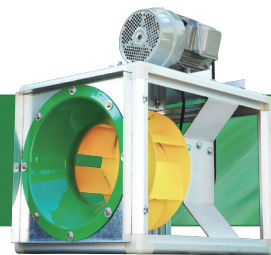
所示A加權聲音性能額定值已按AMCA International標準301計算·所示值為安裝類型B:自由入口·管道出口的聲功率級(出口Lwo和出口LwoA)。

額定值包括管道端部校正影響·所示聲功率級額定值以分貝為單位·參考聲功率為10<sup>-12</sup>瓦·按照AMCA International標準301計算。

Lwo : Sound power level transmitted to the outlet duct from fan 風機聲功率由出口管傳送測得

LwoA : Sound power level at outlet, A-weighted 風機出口聲功率·經A加權

# ILF Series

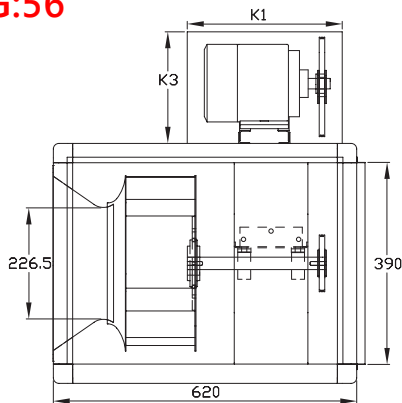


## ILF-355

FEQ:56

WHEEL : 360 mm  
 OUTLET : 390 × 390 mm ( W × H ,outside ) :  
 0.1521m<sup>2</sup> : (outside area)

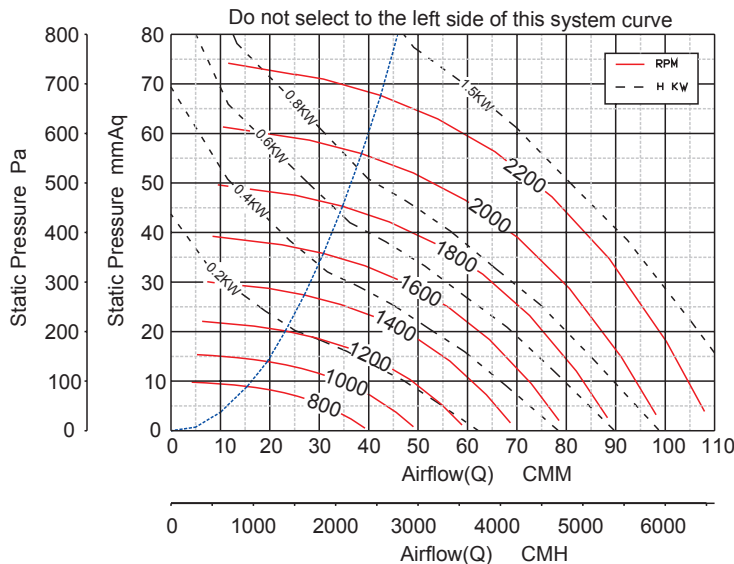
葉輪 : 360 mm  
 出口 : 390 × 390 mm ( 寬×長, 外圍尺寸 ) :  
 0.1521m<sup>2</sup> : (外圍面積)



■ Dimensions shown in millimeters. Motor cover is optional. Dimensions may vary with motor size.

風機尺寸採用mm表示

馬達保護蓋大小隨著馬達框號而改變



流量Q：單位cmm 靜壓Ps：單位mmAq 功率H：單位KW 密度r：1.2kg/m<sup>3</sup>

| RPM<br>轉速 |          | STATIC PRESSURE (Ps) 靜壓 · mmAq |      |      |      |      |      |
|-----------|----------|--------------------------------|------|------|------|------|------|
|           |          | 5                              | 10   | 20   | 30   | 40   | 50   |
| 900       | Q, CMM   | 38                             |      |      |      |      |      |
|           | H, KW    | 0.09                           |      |      |      |      |      |
|           | Lwo, dB  | 75                             |      |      |      |      |      |
|           | LwoA, dB | 65                             |      |      |      |      |      |
| 1100      | Q, CMM   | 50                             | 43   |      |      |      |      |
|           | H, KW    | 0.16                           | 0.17 |      |      |      |      |
|           | Lwo, dB  | 81                             | 80   |      |      |      |      |
|           | LwoA, dB | 71                             | 69   |      |      |      |      |
| 1300      | Q, CMM   | 61                             | 56   | 39   |      |      |      |
|           | H, KW    | 0.26                           | 0.27 | 0.28 |      |      |      |
|           | Lwo, dB  | 86                             | 86   | 84   |      |      |      |
|           | LwoA, dB | 75                             | 74   | 71   |      |      |      |
| 1500      | Q, CMM   | 72                             | 68   | 56   |      |      |      |
|           | H, KW    | 0.39                           | 0.41 | 0.43 |      |      |      |
|           | Lwo, dB  | 90                             | 90   | 87   |      |      |      |
|           | LwoA, dB | 78                             | 78   | 76   |      |      |      |
| 1700      | Q, CMM   | 83                             | 79   | 70   | 58   |      |      |
|           | H, KW    | 0.55                           | 0.58 | 0.61 | 0.62 |      |      |
|           | Lwo, dB  | 93                             | 92   | 91   | 91   |      |      |
|           | LwoA, dB | 82                             | 81   | 80   | 78   |      |      |
| 1900      | Q, CMM   | 93                             | 90   | 83   | 73   | 61   |      |
|           | H, KW    | 0.76                           | 0.80 | 0.84 | 0.86 | 0.86 |      |
|           | Lwo, dB  | 95                             | 95   | 95   | 93   | 93   |      |
|           | LwoA, dB | 84                             | 85   | 83   | 82   | 81   |      |
| 2100      | Q, CMM   | 103                            | 101  | 94   | 87   | 78   | 66   |
|           | H, KW    | 1.02                           | 1.06 | 1.12 | 1.15 | 1.17 | 1.16 |
|           | Lwo, dB  | 98                             | 97   | 97   | 96   | 95   | 95   |
|           | LwoA, dB | 88                             | 87   | 87   | 85   | 84   | 84   |

- Performance certified is for Installation type B-Free inlet, ducted outlet. Performance ratings do not include the effects of appurtenances(accessories). Power rating H(KW) includes transmission losses.

- The A-weighted sound ratings shown have been calculated per AMCA International Standard 301. Values shown are for outlet Lwo and LwoA sound power levels for installation type B-Free inlet, ducted outlet. Ratings include the effects of duct end correction. The sound power level ratings shown are in decibels, referred to 10-12 watts, calculated per AMCA International Standard 301.

經認證的性能是B類安裝-自由入口、管道出口，各項性能額定值不包括附屬物（附件）的影響。額定功率H(KW)包括傳輸（動）損失。所示A加權聲音性能額定值已按AMCA International標準301計算。所示值為安裝類型B：自由入口、管道出口的聲功率級（出口Lwo和出口LwoA）。

額定值包括管道端部校正影響。所示聲功率級額定值以分貝為單位，參考聲功率為10-12瓦，按照AMCA International標準301計算。  
 Lwo : Sound power level transmitted to the outlet duct from fan 風機聲功率由出口管傳送測得  
 LwoA : Sound power level at outlet, A-weighted 風機出口聲功率·經A加權

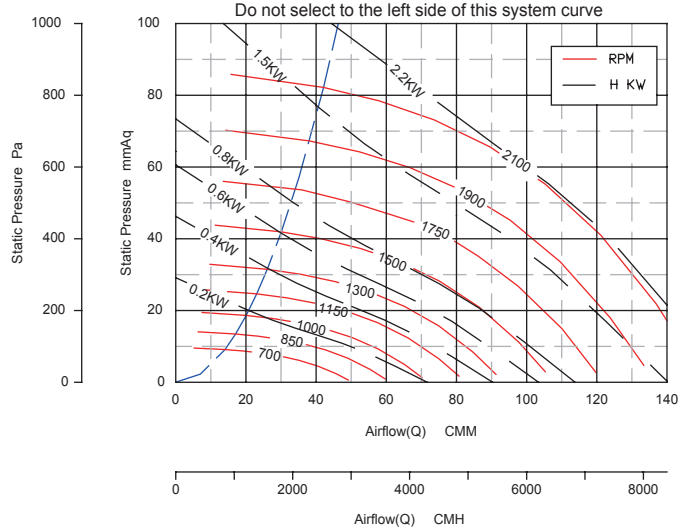
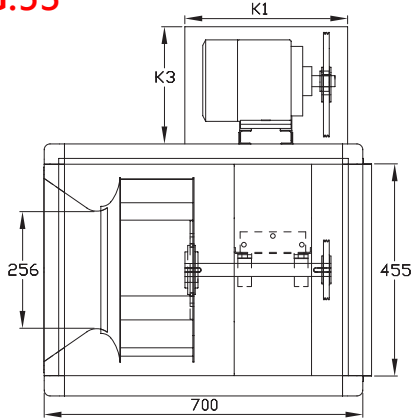


# ILF-400

FEQ:53

WHEEL : 405 mm  
 OUTLET : 455 × 455 mm ( W × H ,outside ) :  
 0.207 m<sup>2</sup> : (outside area)

葉輪 : 405 mm  
 出口 : 455 × 455 mm ( 寬×長, 外圍尺寸 ) :  
 0.207 m<sup>2</sup> : (外圍面積)



■ Dimensions shown in millimeters. Motor cover is optional. Dimensions may vary with motor size.

風機尺寸採用mm表示

馬達保護蓋大小隨著馬達框號而改變

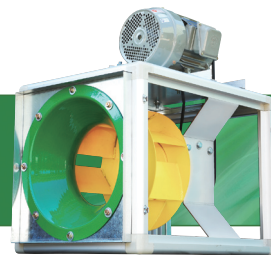
流量Q：單位cmm 靜壓Ps：單位mmAq 功率H：單位KW 密度r：1.2kg/m<sup>3</sup>

| RPM<br>轉速 |          | STATIC PRESSURE (Ps) 靜壓 · mmAq |      |      |      |      |      |
|-----------|----------|--------------------------------|------|------|------|------|------|
|           |          | 5                              | 10   | 20   | 30   | 40   | 50   |
| 800       | Q, CMM   | 48                             | 32   |      |      |      |      |
|           | H, KW    | 0.12                           | 0.12 |      |      |      |      |
|           | Lwo, dB  | 74                             | 72   |      |      |      |      |
| 1000      | LwoA, dB | 66                             | 62   |      |      |      |      |
|           | Q, CMM   | 65                             | 56   |      |      |      |      |
|           | H, KW    | 0.22                           | 0.23 |      |      |      |      |
| 1200      | Lwo, dB  | 82                             | 80   |      |      |      |      |
|           | LwoA, dB | 72                             | 70   |      |      |      |      |
|           | Q, CMM   | 81                             | 74   | 56   |      |      |      |
| 1400      | H, KW    | 0.36                           | 0.38 | 0.39 |      |      |      |
|           | Lwo, dB  | 88                             | 87   | 86   |      |      |      |
|           | LwoA, dB | 77                             | 75   | 73   |      |      |      |
| 1600      | Q, CMM   | 96                             | 91   | 78   |      |      |      |
|           | H, KW    | 0.56                           | 0.60 | 0.62 |      |      |      |
|           | Lwo, dB  | 92                             | 92   | 90   |      |      |      |
| 1800      | LwoA, dB | 81                             | 80   | 78   |      |      |      |
|           | Q, CMM   | 111                            | 107  | 97   | 83   |      |      |
|           | H, KW    | 0.82                           | 0.86 | 0.91 | 0.94 |      |      |
| 2000      | Lwo, dB  | 95                             | 94   | 94   | 93   |      |      |
|           | LwoA, dB | 84                             | 83   | 82   | 81   |      |      |
|           | Q, CMM   | 126                            | 122  | 114  | 104  | 91   |      |
|           | H, KW    | 1.16                           | 1.21 | 1.28 | 1.31 | 1.34 |      |
|           | Lwo, dB  | 98                             | 98   | 97   | 96   | 96   |      |
|           | LwoA, dB | 87                             | 87   | 86   | 85   | 84   |      |
|           | Q, CMM   | 141                            | 137  | 130  | 122  | 112  | 100  |
|           | H, KW    | 1.58                           | 1.63 | 1.73 | 1.77 | 1.81 | 1.83 |
|           | Lwo, dB  | 100                            | 100  | 99   | 99   | 98   | 98   |
|           | LwoA, dB | 90                             | 90   | 89   | 88   | 87   | 86   |

- Performance certified is for Installation type B-Free inlet, ducted outlet. Performance ratings do not include the effects of appurtenances(accessories) . Power rating H(KW) includes transmission losses.  
 - The A-weighted sound ratings shown have been calculated per AMCA International Standard 301. Values shown are for outlet Lwo and LwoA sound power levels for installation type B-Free inlet, ducted outlet . Ratings include the effects of duct end correction. The sound power level ratings shown are in decibels, referred to 10-12 watts, calculated per AMCA International Standard 301.

經認證的性能是B類安裝-自由入口·管道出口。各項性能額定值不包括附屬物(附件)的影響。額定功率H(KW)包括傳輸(動)損失。所示A加權聲音性能額定值已按AMCA International標準301計算。所示值為安裝類型B：自由入口·管道出口的聲功率級(出口Lwo和出口LwoA)。額定值包括管道端部校正影響。所示聲功率級額定值以分貝為單位·參考聲功率為10-12瓦·按照AMCA International標準301計算。

Lwo : Sound power level transmitted to the outlet duct from fan 風機聲功率由出口管傳送測得  
 LwoA : Sound power level at outlet, A-weighted 風機出口聲功率·經A加權

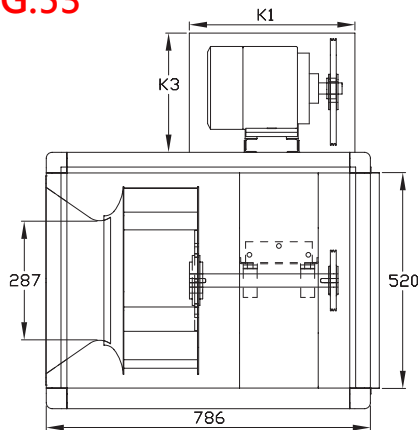


## ILF-450

FEQ:53

WHEEL : 455 mm  
 OUTLET : 520 × 520 mm ( W × H ,outside ) :  
 0.2704m<sup>2</sup> : (outside area)

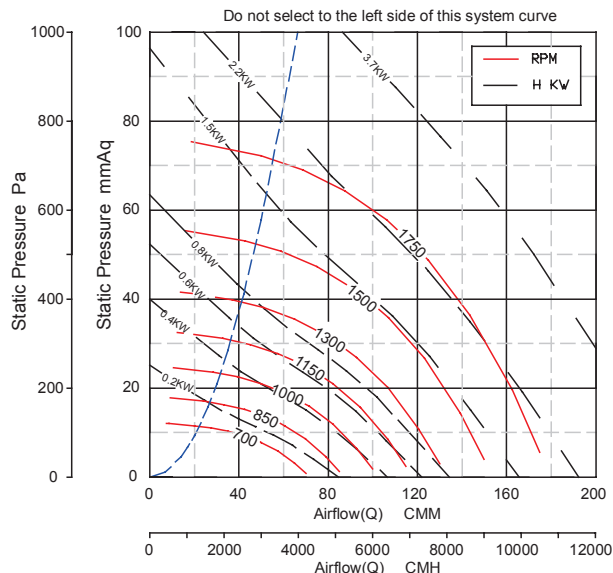
葉輪 : 455 mm  
 出口 : 520 × 520 mm ( 寬×長, 外圍尺寸 ) :  
 0.2704m<sup>2</sup> : (外圍面積)



■ Dimensions shown in millimeters. Motor cover is optional. Dimensions may vary with motor size.

風機尺寸採用mm表示

馬達保護蓋大小隨著馬達框號而改變



流量Q：單位cmm 靜壓Ps：單位mmAq 功率H：單位KW 密度r：1.2kg/m<sup>3</sup>

| RPM<br>轉速 |          | STATIC PRESSURE (Ps) 靜壓 · mmAq |      |      |      |      |      |      |
|-----------|----------|--------------------------------|------|------|------|------|------|------|
|           |          | 5                              | 10   | 20   | 30   | 40   | 50   | 60   |
| 800       | Q, CMM   | 72                             | 57   |      |      |      |      |      |
|           | H, KW    | 0.20                           | 0.21 |      |      |      |      |      |
|           | Lwo, dB  | 79                             | 76   |      |      |      |      |      |
|           | LwoA, dB | 69                             | 67   |      |      |      |      |      |
| 1000      | Q, CMM   | 95                             | 85   |      |      |      |      |      |
|           | H, KW    | 0.38                           | 0.40 |      |      |      |      |      |
|           | Lwo, dB  | 86                             | 85   |      |      |      |      |      |
|           | LwoA, dB | 76                             | 74   |      |      |      |      |      |
| 1200      | Q, CMM   | 116                            | 110  | 91   |      |      |      |      |
|           | H, KW    | 0.63                           | 0.67 | 0.70 |      |      |      |      |
|           | Lwo, dB  | 91                             | 91   | 89   |      |      |      |      |
|           | LwoA, dB | 80                             | 80   | 77   |      |      |      |      |
| 1400      | Q, CMM   | 137                            | 132  | 119  | 101  |      |      |      |
|           | H, KW    | 0.99                           | 1.04 | 1.09 | 1.13 |      |      |      |
|           | Lwo, dB  | 96                             | 95   | 94   | 93   |      |      |      |
|           | LwoA, dB | 85                             | 84   | 83   | 81   |      |      |      |
| 1600      | Q, CMM   | 158                            | 154  | 143  | 131  | 114  |      |      |
|           | H, KW    | 1.46                           | 1.52 | 1.61 | 1.65 | 1.68 |      |      |
|           | Lwo, dB  | 99                             | 98   | 98   | 97   | 97   |      |      |
|           | LwoA, dB | 88                             | 87   | 86   | 85   | 85   |      |      |
| 1800      | Q, CMM   | 179                            | 175  | 167  | 156  | 144  | 129  | 112  |
|           | H, KW    | 2.06                           | 2.13 | 2.26 | 2.31 | 2.36 | 2.40 | 2.36 |
|           | Lwo, dB  | 102                            | 101  | 101  | 100  | 99   | 99   | 99   |
|           | LwoA, dB | 91                             | 90   | 90   | 89   | 88   | 88   | 87   |

- Performance certified is for Installation type B-Free inlet , ducted outlet. Performance ratings do not include the effects of appurtenances(accessories) . Power rating H(KW) includes transmission losses.
- The A-weighted sound ratings shown have been calculated per AMCA International Standard 301. Values shown are for outlet Lwo and LwoA sound power levels for installation type B-Free inlet, ducted outlet . Ratings include the effects of duct end correction. The sound power level ratings shown are in decibels, referred to 10-12 watts, calculated per AMCA International Standard 301.

經認證的性能是B類安裝-自由入口、管道出口。各項性能額定值不包括附屬物(附件)的影響。額定功率H(KW)包括傳輸(動)損失。  
 所示A加權聲音性能額定值已按AMCA International標準301計算。所示值為安裝類型B：自由入口、管道出口的聲功率級(出口Lwo和出口LwoA)。額定值包括管道端部校正影響。所示聲功率級額定值以分貝為單位。參考聲功率為10-12瓦。按照AMCA International標準301計算。  
 Lwo : Sound power level transmitted to the outlet duct from fan 風機聲功率由出口管傳送測得  
 LwoA : Sound power level at outlet, A-weighted 風機出口聲功率·經A加權

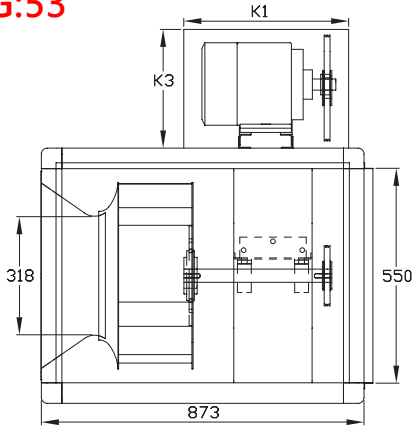


# ILF-500

FEQ:53

WHEEL : 505 mm  
 OUTLET : 550 × 550 mm ( W × H ,outside ) :  
 0.3025m<sup>2</sup> : (outside area)

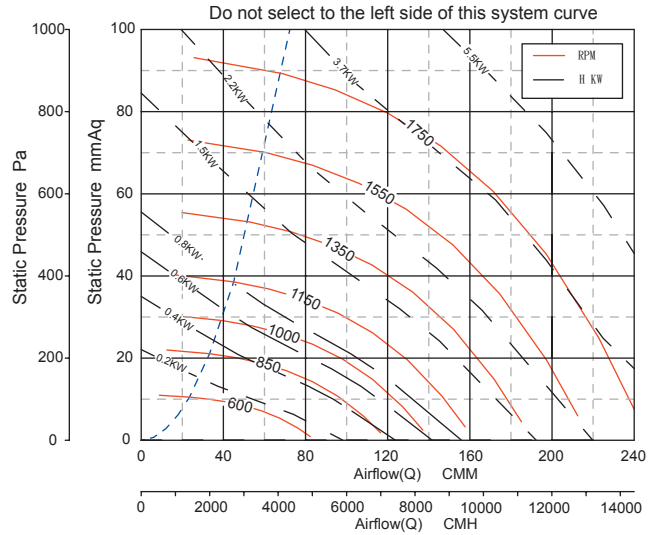
葉輪 : 505 mm  
 出口 : 550 × 550 mm ( 寬×長, 外圍尺寸 ) :  
 0.3025m<sup>2</sup> : (外圍面積)



■ Dimensions shown in millimeters. Motor cover is optional. Dimensions may vary with motor size.

風機尺寸採用mm表示

馬達保護蓋大小隨著馬達框號而改變



流量Q：單位cmm 靜壓Ps：單位mmAq 功率H：單位KW 密度r：1.2kg/m<sup>3</sup>

| RPM<br>轉速 |          | STATIC PRESSURE (Ps) 靜壓 · mmAq |      |      |      |      |      |      |
|-----------|----------|--------------------------------|------|------|------|------|------|------|
|           |          | 5                              | 10   | 20   | 30   | 40   | 50   | 60   |
| 700       | Q, CMM   | 85                             | 66   |      |      |      |      |      |
|           | H, KW    | 0.23                           | 0.24 |      |      |      |      |      |
|           | Lwo, dB  | 77                             | 74   |      |      |      |      |      |
|           | LwoA, dB | 69                             | 67   |      |      |      |      |      |
| 900       | Q, CMM   | 116                            | 105  |      |      |      |      |      |
|           | H, KW    | 0.46                           | 0.49 |      |      |      |      |      |
|           | Lwo, dB  | 87                             | 85   |      |      |      |      |      |
|           | LwoA, dB | 76                             | 75   |      |      |      |      |      |
| 1100      | Q, CMM   | 146                            | 138  | 116  |      |      |      |      |
|           | H, KW    | 0.82                           | 0.87 | 0.91 |      |      |      |      |
|           | Lwo, dB  | 93                             | 92   | 90   |      |      |      |      |
|           | LwoA, dB | 81                             | 81   | 79   |      |      |      |      |
| 1300      | Q, CMM   | 175                            | 168  | 153  | 133  |      |      |      |
|           | H, KW    | 1.33                           | 1.39 | 1.47 | 1.51 |      |      |      |
|           | Lwo, dB  | 97                             | 96   | 96   | 94   |      |      |      |
|           | LwoA, dB | 86                             | 85   | 84   | 83   |      |      |      |
| 1500      | Q, CMM   | 203                            | 198  | 186  | 171  | 153  | 131  |      |
|           | H, KW    | 2.02                           | 2.09 | 2.22 | 2.28 | 2.32 | 2.31 |      |
|           | Lwo, dB  | 100                            | 100  | 99   | 98   | 98   | 98   |      |
|           | LwoA, dB | 90                             | 89   | 89   | 87   | 87   | 85   |      |
| 1700      | Q, CMM   | 232                            | 227  | 217  | 205  | 192  | 176  | 157  |
|           | H, KW    | 2.91                           | 3.00 | 3.17 | 3.26 | 3.32 | 3.38 | 3.38 |
|           | Lwo, dB  | 104                            | 103  | 103  | 103  | 101  | 101  | 101  |
|           | LwoA, dB | 93                             | 93   | 92   | 91   | 90   | 90   | 89   |

- Performance certified is for Installation type B-Free inlet, ducted outlet. Performance ratings do not include the effects of appurtenances(accessories) . Power rating H(KW) includes transmission losses.

- The A-weighted sound ratings shown have been calculated per AMCA International Standard 301. Values shown are for outlet Lwo and LwoA sound power levels for installation type B-Free inlet, ducted outlet . Ratings include the effects of duct end correction. The sound power level ratings shown are in decibels, referred to 10-12 watts, calculated per AMCA International Standard 301.

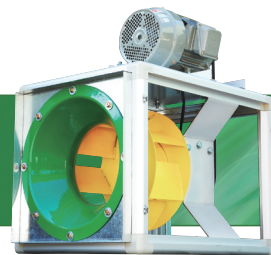
經認證的性能是B類安裝-自由入口、管道出口。各項性能額定值不包括附屬物(附件)的影響。額定功率H(KW)包括傳輸(動)損失。

所示A加權聲音性能額定值已按AMCA International標準301計算。所示值為安裝類型B：自由入口、管道出口的聲功率級(出口Lwo和出口LwoA)。額定值包括管道端部校正影響。所示聲功率級額定值以分貝為單位。參考聲功率為10-12瓦。按照AMCA International標準301計算。

Lwo : Sound power level transmitted to the outlet duct from fan 風機聲功率由出口管傳送測得

LwoA : Sound power level at outlet, A-weighted

風機出口聲功率·經A加權

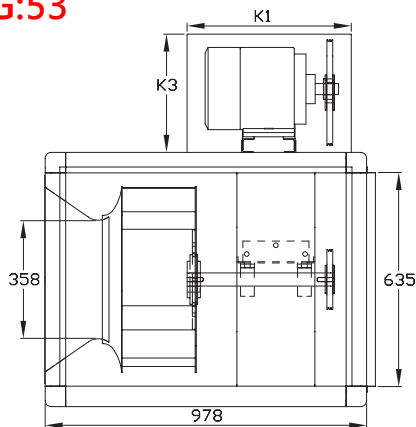


## ILF-560

FEQ:53

WHEEL : 570 mm  
 OUTLET : 635 × 635 mm ( W × H ,outside ) :  
 0.403m<sup>2</sup> : (outside area)

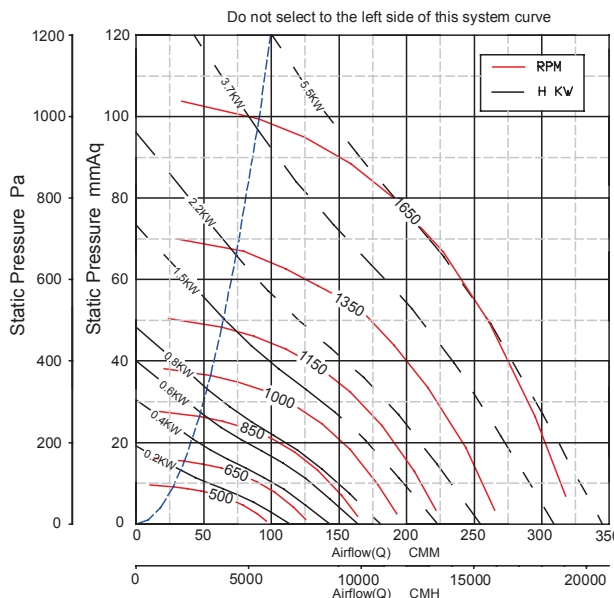
葉輪 : 570 mm  
 出口 : 635 × 635 mm ( 寬×長 , 外圍尺寸 ) :  
 0.403m<sup>2</sup> : (外圍面積)



■ Dimensions shown in millimeters. Motor cover is optional. Dimensions may vary with motor size.

風機尺寸採用mm表示

馬達保護蓋大小隨著馬達框號而改變



流量Q：單位cmm 靜壓Ps：單位mmAq 功率H：單位KW 密度r：1.2kg/m<sup>3</sup>

| RPM<br>轉速 |          | STATIC PRESSURE (Ps) 靜壓 · mmAq |      |      |      |      |      |      |
|-----------|----------|--------------------------------|------|------|------|------|------|------|
|           |          | 5                              | 10   | 20   | 30   | 40   | 50   | 60   |
| 600       | Q, CMM   | 103                            | 77   |      |      |      |      |      |
|           | H, KW    | 0.27                           | 0.27 |      |      |      |      |      |
|           | Lwo, dB  | 75                             | 73   |      |      |      |      |      |
|           | LwoA, dB | 69                             | 65   |      |      |      |      |      |
| 750       | Q, CMM   | 138                            | 122  |      |      |      |      |      |
|           | H, KW    | 0.50                           | 0.52 |      |      |      |      |      |
|           | Lwo, dB  | 83                             | 81   |      |      |      |      |      |
|           | LwoA, dB | 75                             | 73   |      |      |      |      |      |
| 900       | Q, CMM   | 170                            | 158  | 126  |      |      |      |      |
|           | H, KW    | 0.83                           | 0.88 | 0.92 |      |      |      |      |
|           | Lwo, dB  | 90                             | 89   | 87   |      |      |      |      |
|           | LwoA, dB | 80                             | 80   | 77   |      |      |      |      |
| 1050      | Q, CMM   | 201                            | 192  | 169  | 136  |      |      |      |
|           | H, KW    | 1.30                           | 1.37 | 1.44 | 1.45 |      |      |      |
|           | Lwo, dB  | 95                             | 94   | 92   | 92   |      |      |      |
|           | LwoA, dB | 84                             | 83   | 81   | 79   |      |      |      |
| 1200      | Q, CMM   | 233                            | 225  | 206  | 183  | 153  |      |      |
|           | H, KW    | 1.91                           | 1.99 | 2.11 | 2.17 | 2.17 |      |      |
|           | Lwo, dB  | 98                             | 98   | 97   | 96   | 96   |      |      |
|           | LwoA, dB | 88                             | 87   | 86   | 84   | 83   |      |      |
| 1350      | Q, CMM   | 263                            | 256  | 242  | 223  | 201  | 174  |      |
|           | H, KW    | 2.69                           | 2.79 | 2.96 | 3.03 | 3.10 | 3.09 |      |
|           | Lwo, dB  | 101                            | 101  | 100  | 99   | 99   | 99   |      |
|           | LwoA, dB | 91                             | 90   | 90   | 88   | 87   | 86   |      |
| 1500      | Q, CMM   | 294                            | 288  | 275  | 260  | 243  | 222  | 198  |
|           | H, KW    | 3.67                           | 3.77 | 3.99 | 4.11 | 4.18 | 4.25 | 4.25 |
|           | Lwo, dB  | 104                            | 104  | 104  | 103  | 101  | 101  | 101  |
|           | LwoA, dB | 93                             | 93   | 92   | 91   | 90   | 90   | 89   |

- Performance certified is for Installation type B-Free inlet , ducted outlet. Performance ratings do not include the effects of appurtenances(accessories) . Power rating H(KW) includes transmission losses.

- The A-weighted sound ratings shown have been calculated per AMCA International Standard 301. Values shown are for outlet Lwo and LwoA sound power levels for installation type B-Free inlet, ducted outlet . Ratings include the effects of duct end correction. The sound power level ratings shown are in decibels, referred to 10-12 watts, calculated per AMCA International Standard 301.

經認證的性能是B類安裝-自由入口·管道出口。各項性能額定值不包括附屬物(附件)的影響。額定功率H(KW)包括傳輸(動)損失。所示A加權聲音性能額定值已按AMCA International標準301計算。所示值為安裝類型B：自由入口·管道出口的聲功率級(出口Lwo和出口LwoA)。額定值包括管道端部校正影響。所示聲功率級額定值以分貝為單位。參考聲功率為10-12瓦。按照AMCA International標準301計算。

Lwo : Sound power level transmitted to the outlet duct from fan 風機聲功率由出口管傳送測得  
 LwoA : Sound power level at outlet , A-weighted 風機出口聲功率·經A加權

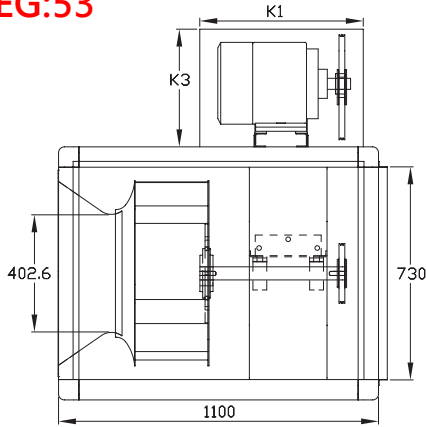


# ILF-630

FEQ:53

WHEEL : 640 mm  
 OUTLET : 730 × 730 mm ( W × H ,outside ) :  
 0.5329m<sup>2</sup> : (outside area)

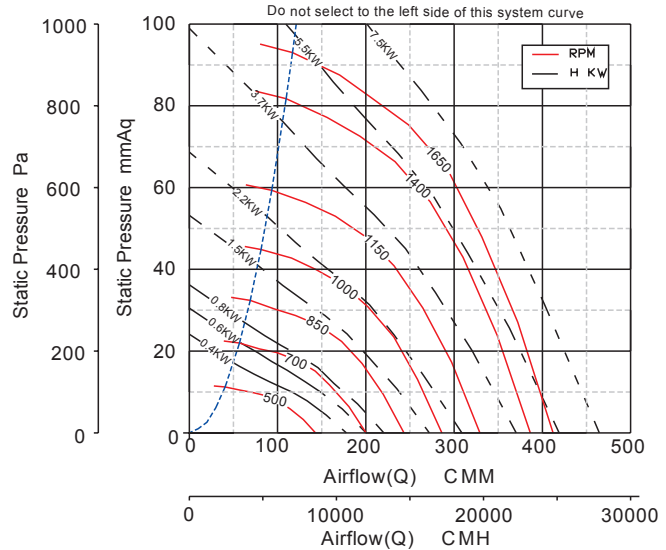
葉輪 : 640 mm  
 出口 : 730 × 730 mm ( 寬×長, 外圍尺寸 ) :  
 0.5329m<sup>2</sup> : (外圍面積)



■ Dimensions shown in millimeters. Motor cover is optional. Dimensions may vary with motor size.

風機尺寸採用mm表示

馬達保護蓋大小隨著馬達框號而改變



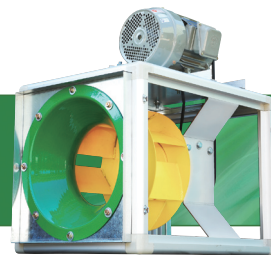
流量Q：單位cmm 靜壓Ps：單位mmAq 功率H：單位KW 密度ρ：1.2kg/m<sup>3</sup>

| RPM<br>轉速 |          | STATIC PRESSURE (Ps) 靜壓 · mmAq |      |      |      |      |      |      |
|-----------|----------|--------------------------------|------|------|------|------|------|------|
|           |          | 5                              | 10   | 20   | 30   | 40   | 50   | 60   |
| 550       | Q, CMM   | 136                            | 106  |      |      |      |      |      |
|           | H, KW    | 0.34                           | 0.36 |      |      |      |      |      |
|           | Lwo, dB  | 76                             | 75   |      |      |      |      |      |
|           | LwoA, dB | 67                             | 64   |      |      |      |      |      |
| 650       | Q, CMM   | 170                            | 146  |      |      |      |      |      |
|           | H, KW    | 0.54                           | 0.58 |      |      |      |      |      |
|           | Lwo, dB  | 82                             | 80   |      |      |      |      |      |
|           | LwoA, dB | 71                             | 70   |      |      |      |      |      |
| 800       | Q, CMM   | 216                            | 200  | 162  |      |      |      |      |
|           | H, KW    | 0.97                           | 1.03 | 1.11 |      |      |      |      |
|           | Lwo, dB  | 91                             | 89   | 87   |      |      |      |      |
|           | LwoA, dB | 78                             | 77   | 75   |      |      |      |      |
| 950       | Q, CMM   | 261                            | 250  | 217  | 182  |      |      |      |
|           | H, KW    | 1.59                           | 1.68 | 1.78 | 1.85 |      |      |      |
|           | Lwo, dB  | 98                             | 97   | 95   | 94   |      |      |      |
|           | LwoA, dB | 83                             | 82   | 80   | 79   |      |      |      |
| 1050      | Q, CMM   | 291                            | 281  | 254  | 225  |      |      |      |
|           | H, KW    | 2.13                           | 2.22 | 2.36 | 2.47 |      |      |      |
|           | Lwo, dB  | 101                            | 100  | 99   | 98   |      |      |      |
|           | LwoA, dB | 85                             | 85   | 83   | 82   |      |      |      |
| 1200      | Q, CMM   | 335                            | 326  | 307  | 280  | 255  | 219  |      |
|           | H, KW    | 3.14                           | 3.25 | 3.46 | 3.57 | 3.69 | 3.70 |      |
|           | Lwo, dB  | 105                            | 104  | 104  | 103  | 101  | 102  |      |
|           | LwoA, dB | 89                             | 88   | 88   | 86   | 86   | 85   |      |
| 1350      | Q, CMM   | 379                            | 371  | 355  | 334  | 310  | 288  | 261  |
|           | H, KW    | 4.44                           | 4.56 | 4.81 | 4.98 | 5.11 | 5.24 | 5.30 |
|           | Lwo, dB  | 108                            | 108  | 107  | 107  | 106  | 105  | 105  |
|           | LwoA, dB | 92                             | 92   | 91   | 90   | 89   | 89   | 88   |

- Performance certified is for Installation type B-Free inlet, ducted outlet. Performance ratings do not include the effects of appurtenances(accessories). Power rating H(KW) includes transmission losses.

- The A-weighted sound ratings shown have been calculated per AMCA International Standard 301. Values shown are for outlet Lwo and LwoA sound power levels for installation type B-Free inlet, ducted outlet. Ratings include the effects of duct end correction. The sound power level ratings shown are in decibels, referred to 10-12 watts, calculated per AMCA International Standard 301.

經認證的性能是B類安裝-自由入口·管道出口。各項性能額定值不包括附屬物(附件)的影響。額定功率H(KW)包括傳輸(動)損失。  
 所示A加權聲音性能額定值已按AMCA International標準301計算。所示值為安裝類型B：自由入口·管道出口的聲功率級(出口Lwo和出口LwoA)。額定值包括管道端部校正影響。所示聲功率級額定值以分貝為單位·參考聲功率為10-12瓦·按照AMCA International標準301計算。  
 Lwo : Sound power level transmitted to the outlet duct from fan 風機聲功率由出口管傳送測得  
 LwoA : Sound power level at outlet, A-weighted 風機出口聲功率·經A加權

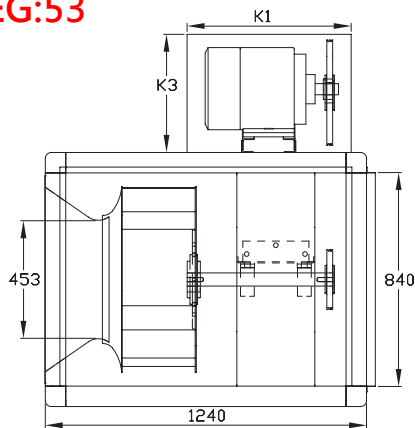


## ILF-710

FEQ:53

WHEEL : 720 mm  
 OUTLET : 840 × 840 mm ( W × H ,outside ) :  
 0.7056m<sup>2</sup> : (outside area)

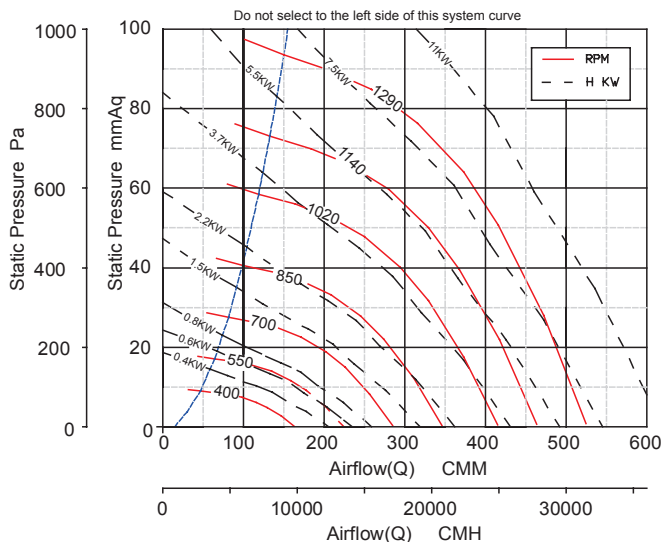
葉輪 : 720 mm  
 出口 : 840 × 840 mm ( 寬×長, 外圍尺寸 ) :  
 0.7056m<sup>2</sup> : (外圍面積)



■ Dimensions shown in millimeters. Motor cover is optional. Dimensions may vary with motor size.

風機尺寸採用mm表示

馬達保護蓋大小隨著馬達框號而改變



流量Q：單位cmm 靜壓Ps：單位mmAq 功率H：單位KW 密度r：1.2kg/m<sup>3</sup>

| RPM<br>轉速 |          | STATIC PRESSURE (Ps) 靜壓 · mmAq |      |      |      |      |      |      |
|-----------|----------|--------------------------------|------|------|------|------|------|------|
|           |          | 5                              | 10   | 20   | 30   | 40   | 50   | 60   |
| 450       | Q, CMM   | 152                            |      |      |      |      |      |      |
|           | H, KW    | 0.34                           |      |      |      |      |      |      |
|           | Lwo, dB  | 74                             |      |      |      |      |      |      |
|           | LwoA, dB | 65                             |      |      |      |      |      |      |
| 600       | Q, CMM   | 225                            | 196  |      |      |      |      |      |
|           | H, KW    | 0.76                           | 0.81 |      |      |      |      |      |
|           | Lwo, dB  | 83                             | 81   |      |      |      |      |      |
|           | LwoA, dB | 73                             | 72   |      |      |      |      |      |
| 750       | Q, CMM   | 290                            | 273  | 226  |      |      |      |      |
|           | H, KW    | 1.43                           | 1.52 | 1.63 |      |      |      |      |
|           | Lwo, dB  | 92                             | 90   | 88   |      |      |      |      |
|           | LwoA, dB | 79                             | 79   | 77   |      |      |      |      |
| 900       | Q, CMM   | 354                            | 341  | 304  | 267  |      |      |      |
|           | H, KW    | 2.42                           | 2.54 | 2.70 | 2.82 |      |      |      |
|           | Lwo, dB  | 99                             | 98   | 97   | 96   |      |      |      |
|           | LwoA, dB | 85                             | 84   | 83   | 82   |      |      |      |
| 990       | Q, CMM   | 392                            | 380  | 351  | 314  | 277  |      |      |
|           | H, KW    | 3.19                           | 3.32 | 3.54 | 3.67 | 3.77 |      |      |
|           | Lwo, dB  | 101                            | 100  | 98   | 97   | 97   |      |      |
|           | LwoA, dB | 87                             | 87   | 86   | 85   | 84   |      |      |
| 1110      | Q, CMM   | 442                            | 431  | 410  | 377  | 345  | 313  |      |
|           | H, KW    | 4.47                           | 4.61 | 4.90 | 5.06 | 5.21 | 5.32 |      |
|           | Lwo, dB  | 107                            | 106  | 105  | 104  | 102  | 102  |      |
|           | LwoA, dB | 90                             | 89   | 89   | 88   | 88   | 87   |      |
| 1260      | Q, CMM   | 505                            | 495  | 476  | 453  | 423  | 396  | 371  |
|           | H, KW    | 6.48                           | 6.65 | 6.98 | 7.25 | 7.42 | 7.59 | 7.77 |
|           | Lwo, dB  | 110                            | 109  | 109  | 108  | 108  | 107  | 107  |
|           | LwoA, dB | 94                             | 94   | 93   | 93   | 92   | 91   | 90   |

- Performance certified is for Installation type B-Free inlet , ducted outlet. Performance ratings do not include the effects of appurtenances(accessories) . Power rating H(KW) includes transmission losses.

- The A-weighted sound ratings shown have been calculated per AMCA International Standard 301. Values shown are for outlet Lwo and LwoA sound power levels for installation type B-Free inlet, ducted outlet . Ratings include the effects of duct end correction. The sound power level ratings shown are in decibels, referred to 10-12 watts, calculated per AMCA International Standard 301.

經認證的性能是B類安裝-自由入口·管道出口。各項性能額定值不包括附屬物(附件)的影響。額定功率H(KW)包括傳輸(動)損失。所示A加權聲音性能額定值已按AMCA International標準301計算。所示值為安裝類型B：自由入口·管道出口的聲功率級(出口Lwo和出口LwoA)。額定值包括管道端部校正影響。所示聲功率級額定值以分貝為單位。參考聲功率為10-12瓦。按照AMCA International標準301計算。

Lwo : Sound power level transmitted to the outlet duct from fan 風機聲功率由出口管傳送測得

LwoA : Sound power level at outlet, A-weighted 風機出口聲功率·經A加權

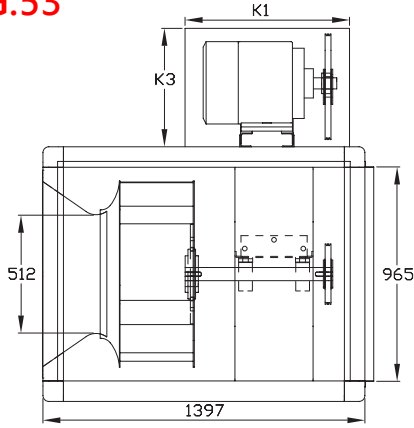


# ILF-800

FEG:53

WHEEL : 810 mm  
 OUTLET : 965 × 965 mm ( W × H ,outside ) :  
 0.9312m<sup>2</sup> : (outside area)

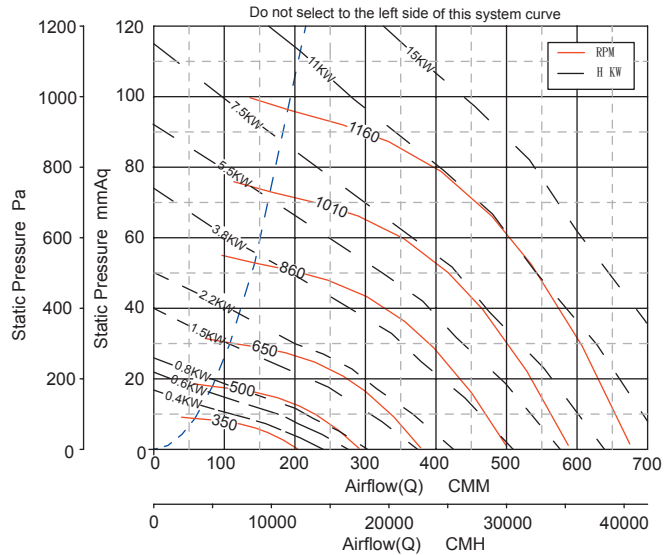
葉輪 : 810 mm  
 出口 : 965 × 965 mm ( 寬×長, 外圍尺寸 ) :  
 0.9312m<sup>2</sup> : (外圍面積)



■ Dimensions shown in millimeters. Motor cover is optional. Dimensions may vary with motor size.

風機尺寸採用mm表示

馬達保護蓋大小隨著馬達框號而改變



流量Q：單位cmm 靜壓Ps：單位mmAq 功率H：單位KW 密度ρ：1.2kg/m<sup>3</sup>

| RPM<br>轉速 |          | STATIC PRESSURE (Ps) 靜壓 · mmAq |       |       |       |       |       |       |
|-----------|----------|--------------------------------|-------|-------|-------|-------|-------|-------|
|           |          | 5                              | 10    | 20    | 30    | 40    | 50    | 60    |
| 400       | Q, CMM   | 193                            |       |       |       |       |       |       |
|           | H, KW    | 0.43                           |       |       |       |       |       |       |
|           | Lwo, dB  | 75                             |       |       |       |       |       |       |
|           | LwoA, dB | 65                             |       |       |       |       |       |       |
| 550       | Q, CMM   | 295                            | 261   |       |       |       |       |       |
|           | H, KW    | 1.05                           | 1.12  |       |       |       |       |       |
|           | Lwo, dB  | 84                             | 83    |       |       |       |       |       |
|           | LwoA, dB | 74                             | 73    |       |       |       |       |       |
| 700       | Q, CMM   | 387                            | 368   | 311   |       |       |       |       |
|           | H, KW    | 2.08                           | 2.21  | 2.35  |       |       |       |       |
|           | Lwo, dB  | 93                             | 91    | 90    |       |       |       |       |
|           | LwoA, dB | 81                             | 81    | 79    |       |       |       |       |
| 830       | Q, CMM   | 466                            | 450   | 407   | 360   |       |       |       |
|           | H, KW    | 3.41                           | 3.56  | 3.79  | 3.95  |       |       |       |
|           | Lwo, dB  | 100                            | 99    | 98    | 96    |       |       |       |
|           | LwoA, dB | 86                             | 86    | 85    | 84    |       |       |       |
| 950       | Q, CMM   | 538                            | 523   | 493   | 449   | 410   | 353   |       |
|           | H, KW    | 5.06                           | 5.23  | 5.57  | 5.75  | 5.94  | 5.97  |       |
|           | Lwo, dB  | 105                            | 104   | 104   | 103   | 102   | 102   |       |
|           | LwoA, dB | 90                             | 89    | 89    | 88    | 87    | 86    |       |
| 1070      | Q, CMM   | 609                            | 596   | 571   | 537   | 498   | 464   | 421   |
|           | H, KW    | 7.17                           | 7.37  | 7.77  | 8.05  | 8.26  | 8.47  | 8.58  |
|           | Lwo, dB  | 109                            | 109   | 108   | 108   | 106   | 105   | 105   |
|           | LwoA, dB | 94                             | 93    | 92    | 92    | 91    | 90    | 89    |
| 1190      | Q, CMM   | 680                            | 668   | 646   | 623   | 587   | 552   | 522   |
|           | H, KW    | 9.81                           | 10.04 | 10.48 | 10.91 | 11.14 | 11.38 | 11.61 |
|           | Lwo, dB  | 112                            | 112   | 111   | 111   | 110   | 109   | 108   |
|           | LwoA, dB | 96                             | 96    | 95    | 95    | 94    | 93    | 93    |

- Performance certified is for Installation type B-Free inlet, ducted outlet. Performance ratings do not include the effects of appurtenances(accessories) . Power rating H(KW) includes transmission losses.

- The A-weighted sound ratings shown have been calculated per AMCA International Standard 301. Values shown are for outlet Lwo and LwoA sound power levels for installation type B-Free inlet, ducted outlet. Ratings include the effects of duct end correction. The sound power level ratings shown are in decibels, referred to 10-12 watts, calculated per AMCA International Standard 301.

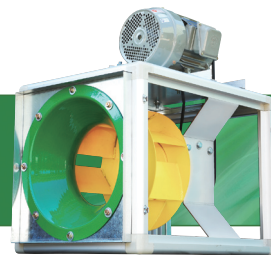
經認證的性能是B類安裝-自由入口·管道出口。各項性能額定值不包括附屬物(附件)的影響。額定功率H(KW)包括傳輸(動)損失。

所示A加權聲音性能額定值已按AMCA International標準301計算。所示值為安裝類型B：自由入口·管道出口的聲功率級(出口Lwo和出口LwoA)。額定值包括管道端部校正影響。所示聲功率級額定值以分貝為單位。參考聲功率為10-12瓦。按照AMCA International標準301計算。

Lwo : Sound power level transmitted to the outlet duct from fan 風機聲功率由出口管傳送測得

LwoA : Sound power level at outlet, A-weighted

風機出口聲功率·經A加權

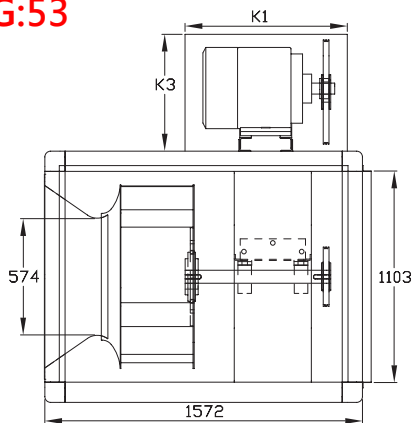


## ILF-900

FEQ:53

WHEEL : 915 mm  
 OUTLET : 1103 × 1103 mm ( W × H ,outside ) :  
 1.2166m<sup>2</sup> : (outside area)

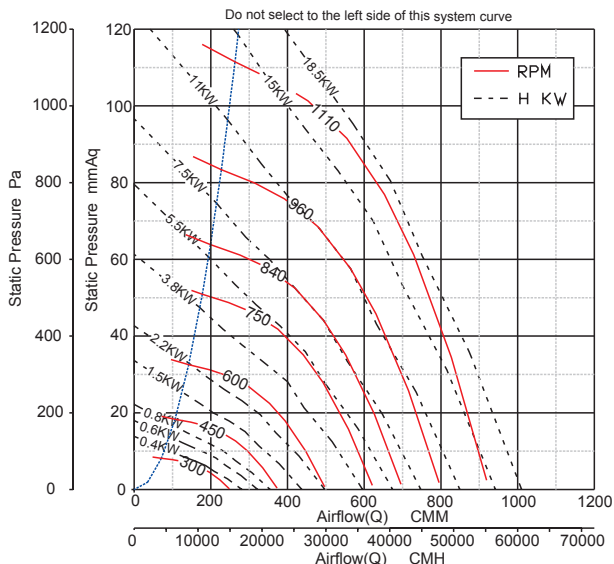
葉輪 : 915 mm  
 出口 : 1103 × 1103 mm ( 寬×長, 外圍尺寸 ) :  
 1.2166m<sup>2</sup> : (外圍面積)



■ Dimensions shown in millimeters. Motor cover is optional. Dimensions may vary with motor size.

風機尺寸採用mm表示

馬達保護蓋大小隨著馬達框號而改變



流量Q：單位cmm 靜壓Ps：單位mmAq 功率H：單位KW 密度r：1.2kg/m<sup>3</sup>

| RPM<br>轉速 |          | STATIC PRESSURE (Ps) 靜壓 · mmAq |       |       |       |       |       |       |
|-----------|----------|--------------------------------|-------|-------|-------|-------|-------|-------|
|           |          | 5                              | 10    | 20    | 30    | 40    | 50    | 60    |
| 350       | Q, CMM   | 241                            |       |       |       |       |       |       |
|           | H, KW    | 0.53                           |       |       |       |       |       |       |
|           | Lwo, dB  | 74                             |       |       |       |       |       |       |
|           | LwoA, dB | 65                             |       |       |       |       |       |       |
| 450       | Q, CMM   | 343                            | 293   |       |       |       |       |       |
|           | H, KW    | 1.07                           | 1.14  |       |       |       |       |       |
|           | Lwo, dB  | 82                             | 80    |       |       |       |       |       |
|           | LwoA, dB | 74                             | 71    |       |       |       |       |       |
| 550       | Q, CMM   | 433                            | 399   | 315   |       |       |       |       |
|           | H, KW    | 1.89                           | 2.01  | 2.14  |       |       |       |       |
|           | Lwo, dB  | 88                             | 87    | 85    |       |       |       |       |
|           | LwoA, dB | 78                             | 77    | 75    |       |       |       |       |
| 690       | Q, CMM   | 556                            | 534   | 472   | 412   |       |       |       |
|           | H, KW    | 3.62                           | 3.81  | 4.05  | 4.25  |       |       |       |
|           | Lwo, dB  | 96                             | 95    | 93    | 92    |       |       |       |
|           | LwoA, dB | 75                             | 84    | 83    | 82    |       |       |       |
| 810       | Q, CMM   | 659                            | 641   | 598   | 539   | 490   |       |       |
|           | H, KW    | 5.78                           | 6.00  | 6.38  | 6.61  | 6.84  |       |       |
|           | Lwo, dB  | 103                            | 102   | 100   | 99    | 98    |       |       |
|           | LwoA, dB | 89                             | 89    | 88    | 87    | 86    |       |       |
| 930       | Q, CMM   | 762                            | 746   | 713   | 668   | 617   | 574   | 508   |
|           | H, KW    | 8.67                           | 8.92  | 9.42  | 9.75  | 10.02 | 10.28 | 10.32 |
|           | Lwo, dB  | 108                            | 107   | 107   | 106   | 104   | 104   | 104   |
|           | LwoA, dB | 93                             | 93    | 92    | 92    | 91    | 90    | 89    |
| 1050      | Q, CMM   | 864                            | 850   | 821   | 7.91  | 746   | 701   | 662   |
|           | H, KW    | 12.40                          | 12.68 | 13.24 | 13.79 | 14.09 | 14.39 | 14.68 |
|           | Lwo, dB  | 113                            | 112   | 111   | 111   | 110   | 109   | 108   |
|           | LwoA, dB | 97                             | 96    | 95    | 95    | 95    | 94    | 93    |

- Performance certified is for Installation type B-Free inlet , ducted outlet. Performance ratings do not include the effects of appurtenances(accessories) . Power rating H(KW) includes transmission losses.

- The A-weighted sound ratings shown have been calculated per AMCA International Standard 301. Values shown are for outlet Lwo and LwoA sound power levels for installation type B-Free inlet, ducted outlet . Ratings include the effects of duct end correction. The sound power level ratings shown are in decibels, referred to 10-12 watts, calculated per AMCA International Standard 301.

經認證的性能是B類安裝-自由入口·管道出口。各項性能額定值不包括附屬物(附件)的影響。額定功率H(KW)包括傳輸(動)損失。所示A加權聲音性能額定值已按AMCA International標準301計算。所示值為安裝類型B:自由入口·管道出口的聲功率級(出口Lwo和出口LwoA)。額定值包括管道端部校正影響。所示聲功率級額定值以分貝為單位,參考聲功率為10-12瓦,按照AMCA International標準301計算。

Lwo : Sound power level transmitted to the outlet duct from fan 風機聲功率由出口管傳送測得

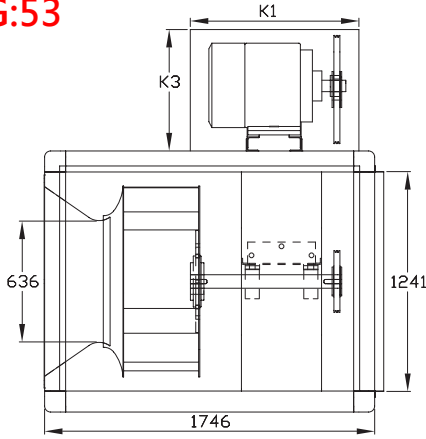
LwoA : Sound power level at outlet, A-weighted 風機出口聲功率·經A加權

# ILF-1000

FEQ:53

WHEEL : 1015 mm  
 OUTLET : 1241 × 1241 mm (W × H, outside) :  
 1.5401 m<sup>2</sup> : (outside area)

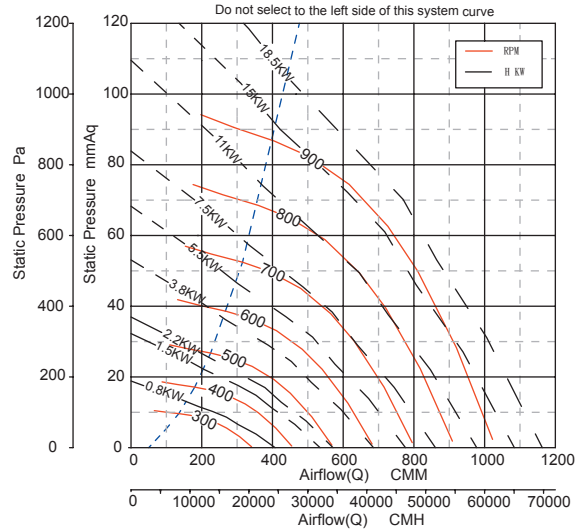
葉輪 : 1015 mm  
 出口 : 1241 × 1241 mm (寬 × 長, 外圍尺寸) :  
 1.5401 m<sup>2</sup> : (外圍面積)



■ Dimensions shown in millimeters. Motor cover is optional. Dimensions may vary with motor size.

風機尺寸採用mm表示

馬達保護蓋大小隨著馬達框號而改變



流量Q：單位cmm 靜壓Ps：單位mmAq 功率H：單位KW 密度ρ：1.2kg/m<sup>3</sup>

| RPM<br>轉速 |          | STATIC PRESSURE (Ps) 靜壓 · mmAq |       |       |       |       |       |       |
|-----------|----------|--------------------------------|-------|-------|-------|-------|-------|-------|
|           |          | 5                              | 10    | 20    | 30    | 40    | 50    | 60    |
| 350       | Q, CMM   | 347                            | 273   |       |       |       |       |       |
|           | H, KW    | 0.87                           | 0.93  |       |       |       |       |       |
|           | Lwo, dB  | 77                             | 75    |       |       |       |       |       |
|           | LwoA, dB | 69                             | 67    |       |       |       |       |       |
| 450       | Q, CMM   | 477                            | 425   |       |       |       |       |       |
|           | H, KW    | 1.77                           | 1.88  |       |       |       |       |       |
|           | Lwo, dB  | 86                             | 84    |       |       |       |       |       |
|           | LwoA, dB | 76                             | 75    |       |       |       |       |       |
| 550       | Q, CMM   | 598                            | 567   | 475   |       |       |       |       |
|           | H, KW    | 3.13                           | 3.33  | 3.54  |       |       |       |       |
|           | Lwo, dB  | 92                             | 91    | 89    |       |       |       |       |
|           | LwoA, dB | 81                             | 81    | 80    |       |       |       |       |
| 625       | Q, CMM   | 687                            | 660   | 585   | 511   |       |       |       |
|           | H, KW    | 4.52                           | 4.75  | 5.05  | 5.29  |       |       |       |
|           | Lwo, dB  | 96                             | 95    | 93    | 92    |       |       |       |
|           | LwoA, dB | 85                             | 84    | 83    | 82    |       |       |       |
| 725       | Q, CMM   | 805                            | 782   | 728   | 656   | 595   |       |       |
|           | H, KW    | 6.97                           | 7.23  | 7.69  | 7.97  | 8.25  |       |       |
|           | Lwo, dB  | 102                            | 101   | 99    | 98    | 97    |       |       |
|           | LwoA, dB | 89                             | 89    | 88    | 87    | 86    |       |       |
| 775       | Q, CMM   | 864                            | 842   | 798   | 730   | 668   | 593   |       |
|           | H, KW    | 8.47                           | 8.75  | 9.31  | 9.61  | 9.91  | 10.18 |       |
|           | Lwo, dB  | 105                            | 104   | 103   | 101   | 100   | 100   |       |
|           | LwoA, dB | 91                             | 91    | 90    | 89    | 89    | 87    |       |
| 850       | Q, CMM   | 951                            | 931   | 892   | 838   | 776   | 723   | 652   |
|           | H, KW    | 11.11                          | 11.42 | 12.04 | 12.48 | 12.81 | 13.14 | 13.27 |
|           | Lwo, dB  | 108                            | 108   | 107   | 106   | 104   | 103   | 104   |
|           | LwoA, dB | 94                             | 94    | 93    | 92    | 91    | 91    | 90    |

- Performance certified is for Installation type B-Free inlet, ducted outlet. Performance ratings do not include the effects of appurtenances(accessories). Power rating H(KW) includes transmission losses.

- The A-weighted sound ratings shown have been calculated per AMCA International Standard 301. Values shown are for outlet Lwo and LwoA sound power levels for installation type B-Free inlet, ducted outlet. Ratings include the effects of duct end correction. The sound power level ratings shown are in decibels, referred to 10-12 watts, calculated per AMCA International Standard 301.

經認證的性能是B類安裝-自由入口·管道出口。各項性能額定值不包括附屬物(附件)的影響。額定功率H(KW)包括傳輸(動)損失。

所示A加權聲音性能額定值已按AMCA International標準301計算。所示值為安裝類型B：自由入口·管道出口的聲功率級(出口Lwo和出口LwoA)。額定值包括管道端部校正影響。所示聲功率級額定值以分貝為單位。參考聲功率為10-12瓦。按照AMCA International標準301計算。

Lwo : Sound power level transmitted to the outlet duct from fan 風機聲功率由出口管傳送測得

LwoA : Sound power level at outlet, A-weighted 風機出口聲功率·經A加權



# ILF Series

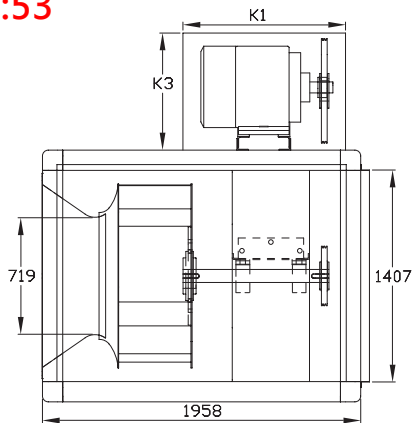


## ILF-1120

FEG:53

WHEEL : 1140 mm  
 OUTLET : 1407 × 1407 mm ( W × H ,outside ) :  
 1.9697m<sup>2</sup> : (outside area)

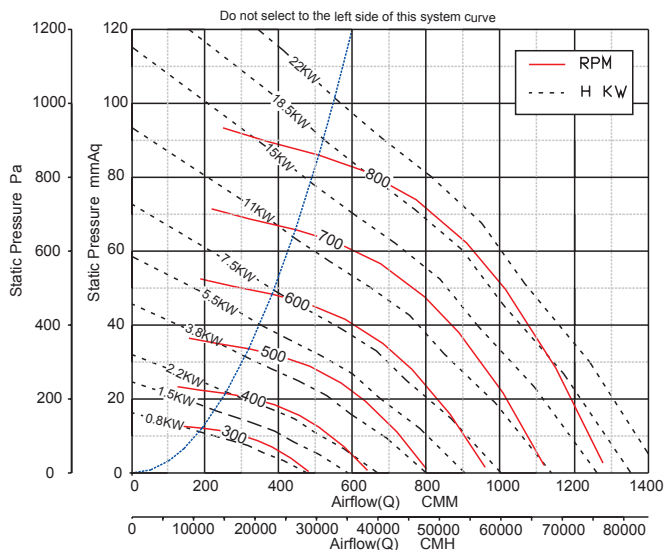
葉輪 : 1140 mm  
 出口 : 1407 × 1407 mm ( 寬×長,外圍尺寸 ) :  
 1.9697m<sup>2</sup> : (外圍面積)



■ Dimensions shown in millimeters. Motor cover is optional. Dimensions may vary with motor size.

風機尺寸採用mm表示

馬達保護蓋大小隨著馬達框號而改變



流量Q：單位cmm 靜壓Ps：單位mmAq 功率H：單位KW 密度r：1.2kg/m<sup>3</sup>

| RPM<br>轉速 |          | STATIC PRESSURE (Ps) 靜壓 · mmAq |       |       |       |       |       |       |
|-----------|----------|--------------------------------|-------|-------|-------|-------|-------|-------|
|           |          | 5                              | 10    | 20    | 30    | 40    | 50    | 60    |
| 275       | Q, CMM   | 362                            |       |       |       |       |       |       |
|           | H, KW    | 0.77                           |       |       |       |       |       |       |
|           | Lwo, dB  | 74                             |       |       |       |       |       |       |
|           | LwoA, dB | 65                             |       |       |       |       |       |       |
| 350       | Q, CMM   | 513                            | 432   |       |       |       |       |       |
|           | H, KW    | 1.53                           | 1.63  |       |       |       |       |       |
|           | Lwo, dB  | 81                             | 79    |       |       |       |       |       |
|           | LwoA, dB | 73                             | 71    |       |       |       |       |       |
| 425       | Q, CMM   | 643                            | 586   | 436   |       |       |       |       |
|           | H, KW    | 2.63                           | 2.80  | 2.95  |       |       |       |       |
|           | Lwo, dB  | 88                             | 87    | 85    |       |       |       |       |
|           | LwoA, dB | 78                             | 78    | 75    |       |       |       |       |
| 500       | Q, CMM   | 772                            | 734   | 620   |       |       |       |       |
|           | H, KW    | 4.19                           | 4.45  | 4.73  |       |       |       |       |
|           | Lwo, dB  | 93                             | 91    | 90    |       |       |       |       |
|           | LwoA, dB | 83                             | 82    | 81    |       |       |       |       |
| 575       | Q, CMM   | 898                            | 864   | 776   | 683   |       |       |       |
|           | H, KW    | 6.27                           | 6.57  | 6.99  | 7.30  |       |       |       |
|           | Lwo, dB  | 97                             | 96    | 94    | 93    |       |       |       |
|           | LwoA, dB | 87                             | 86    | 85    | 83    |       |       |       |
| 675       | Q, CMM   | 1064                           | 1036  | 977   | 889   | 812   | 699   |       |
|           | H, KW    | 10.02                          | 10.37 | 11.03 | 11.40 | 11.77 | 11.82 |       |
|           | Lwo, dB  | 103                            | 102   | 100   | 99    | 98    | 98    |       |
|           | LwoA, dB | 91                             | 90    | 90    | 89    | 88    | 87    |       |
| 775       | Q, CMM   | 1230                           | 1205  | 1157  | 1094  | 1017  | 949   | 880   |
|           | H, KW    | 15.03                          | 15.43 | 16.23 | 16.84 | 17.27 | 17.70 | 18.06 |
|           | Lwo, dB  | 107                            | 106   | 105   | 104   | 103   | 102   | 102   |
|           | LwoA, dB | 95                             | 94    | 94    | 93    | 93    | 92    | 91    |

- Performance certified is for Installation type B-Free inlet , ducted outlet. Performance ratings do not include the effects of appurtenances(accessories) . Power rating H(KW) includes transmission losses.
- The A-weighted sound ratings shown have been calculated per AMCA International Standard 301. Values shown are for outlet Lwo and LwoA sound power levels for installation type B-Free inlet, ducted outlet . Ratings include the effects of duct end correction. The sound power level ratings shown are in decibels, referred to 10-12 watts, calculated per AMCA International Standard 301.

經認證的性能是B類安裝-自由入口·管道出口。各項性能額定值不包括附屬物(附件)的影響。額定功率H(KW)包括傳輸(動)損失。所示A加權聲音性能額定值已按AMCA International標準301計算。所示值為安裝類型B：自由入口·管道出口的聲功率級(出口Lwo和出口LwoA)。額定值包括管道端部校正影響。所示聲功率級額定值以分貝為單位。參考聲功率為10-12瓦。按照AMCA International標準301計算。

Lwo : Sound power level transmitted to the outlet duct from fan 風機聲功率由出口管傳送測得  
 LwoA : Sound power level at outlet, A-weighted 風機出口聲功率·經A加權

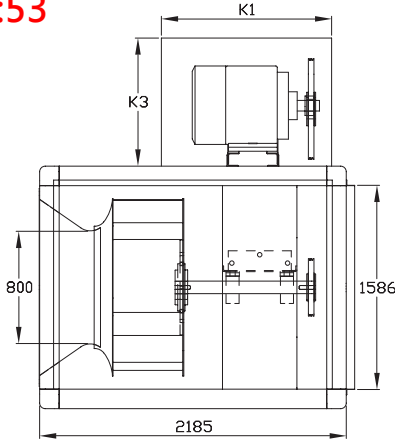
直線型後傾離心式風機

# ILF-1250

FEG:53

WHEEL : 1270 mm  
 OUTLET : 1586 × 1586 mm ( W × H ,outside ) :  
 2.5153m<sup>2</sup> : (outside area)

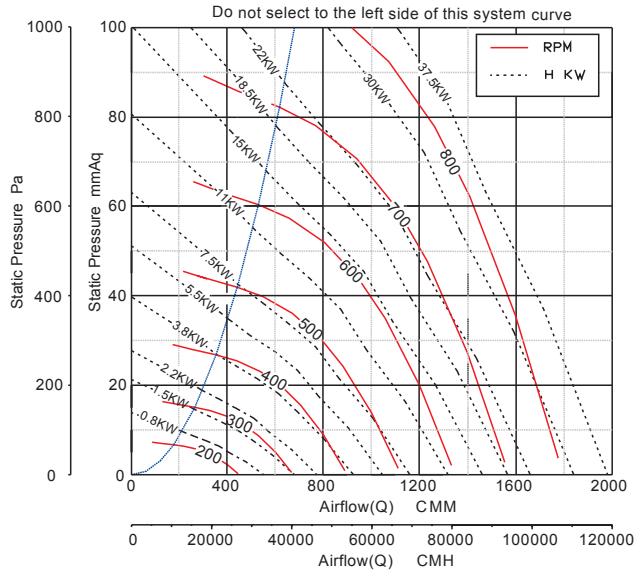
葉輪 : 1270 mm  
 出口 : 1586 × 1586 mm ( 寬×長, 外圍尺寸 ) :  
 2.5153m<sup>2</sup> : (外圍面積)



■ Dimensions shown in millimeters. Motor cover is optional. Dimensions may vary with motor size.

風機尺寸採用mm表示

馬達保護蓋大小隨著馬達框號而改變

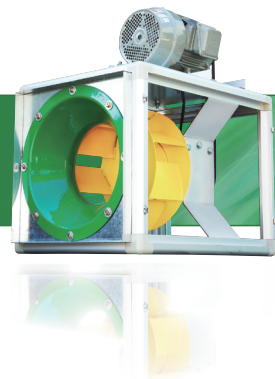


流量Q：單位cmm 靜壓Ps：單位mmAq 功率H：單位KW 密度r：1.2kg/m<sup>3</sup>

| RPM<br>轉速 |           | STATIC PRESSURE (Ps) 靜壓 · mmAq |       |       |       |       |       |       |
|-----------|-----------|--------------------------------|-------|-------|-------|-------|-------|-------|
|           |           | 5                              | 10    | 20    | 30    | 40    | 50    | 60    |
| 250       | Q , CMM   | 458                            |       |       |       |       |       |       |
|           | H , KW    | 0.99                           |       |       |       |       |       |       |
|           | Lwo , dB  | 75                             |       |       |       |       |       |       |
|           | LwoA , dB | 66                             |       |       |       |       |       |       |
| 325       | Q , CMM   | 663                            | 566   |       |       |       |       |       |
|           | H , KW    | 2.08                           | 2.22  |       |       |       |       |       |
|           | Lwo , dB  | 83                             | 81    |       |       |       |       |       |
|           | LwoA , dB | 74                             | 73    |       |       |       |       |       |
| 425       | Q , CMM   | 901                            | 848   | 702   |       |       |       |       |
|           | H , KW    | 4.44                           | 4.73  | 5.05  |       |       |       |       |
|           | Lwo , dB  | 92                             | 90    | 89    |       |       |       |       |
|           | LwoA , dB | 82                             | 81    | 79    |       |       |       |       |
| 550       | Q , CMM   | 1192                           | 1154  | 1058  | 944   | 812   |       |       |
|           | H , KW    | 9.37                           | 9.76  | 10.38 | 10.80 | 11.01 |       |       |
|           | Lwo , dB  | 99                             | 98    | 97    | 95    | 95    |       |       |
|           | LwoA , dB | 89                             | 88    | 87    | 86    | 85    |       |       |
| 625       | Q , CMM   | 1365                           | 1331  | 1263  | 1158  | 1061  | 953   |       |
|           | H , KW    | 13.62                          | 14.06 | 14.95 | 15.43 | 15.91 | 16.20 |       |
|           | Lwo , dB  | 103                            | 102   | 101   | 100   | 99    | 99    |       |
|           | LwoA , dB | 93                             | 92    | 91    | 90    | 90    | 89    |       |
| 675       | Q , CMM   | 1479                           | 1448  | 1385  | 1300  | 1202  | 1119  | 1001  |
|           | H , KW    | 17.07                          | 17.55 | 18.52 | 19.19 | 19.70 | 20.21 | 20.35 |
|           | Lwo , dB  | 106                            | 105   | 104   | 104   | 102   | 102   | 101   |
|           | LwoA , dB | 95                             | 94    | 93    | 93    | 92    | 91    | 90    |
| 750       | Q , CMM   | 1650                           | 1622  | 1566  | 1506  | 1418  | 1330  | 1256  |
|           | H , KW    | 23.29                          | 23.83 | 24.90 | 25.91 | 26.49 | 27.06 | 27.62 |
|           | Lwo , dB  | 110                            | 109   | 109   | 108   | 107   | 106   | 105   |
|           | LwoA , dB | 98                             | 97    | 96    | 96    | 96    | 95    | 95    |

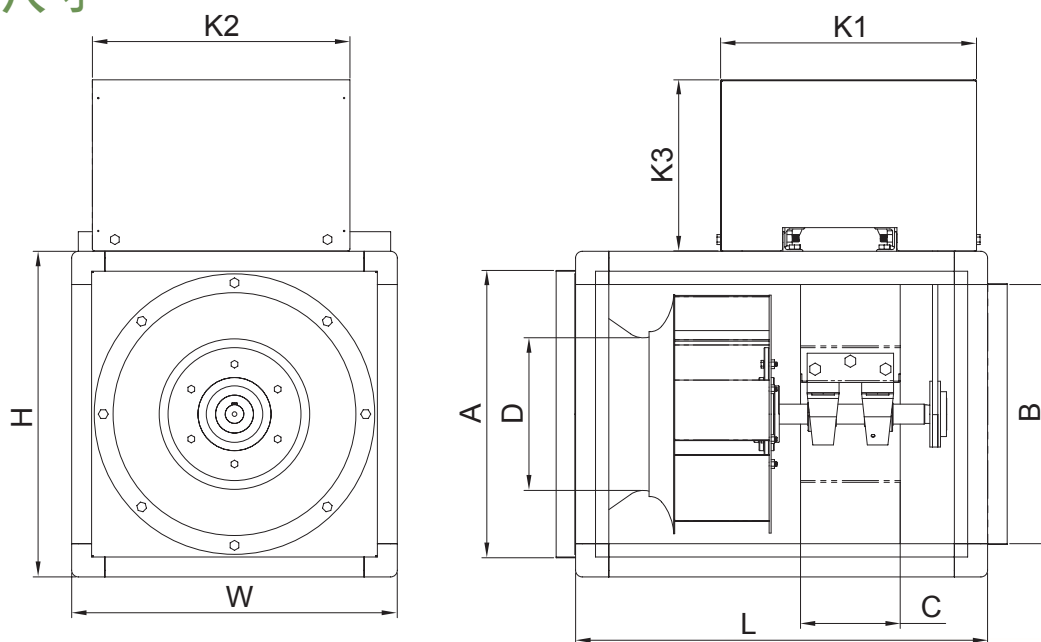
- Performance certified is for Installation type B-Free inlet , ducted outlet. Performance ratings do not include the effects of appurtenances(accessories) . Power rating H(KW) includes transmission losses.  
 - The A-weighted sound ratings shown have been calculated per AMCA International Standard 301. Values shown are for outlet Lwo and LwoA sound power levels for installation type B-Free inlet , ducted outlet . Ratings include the effects of duct end correction. The sound power level ratings shown are in decibels , referred to 10-12 watts , calculated per AMCA International Standard 301.

經認證的性能是B類安裝-自由入口·管道出口。各項性能額定值不包括附屬物(附件)的影響。額定功率H(KW)包括傳輸(動)損失。  
 所示A加權聲音性能額定值已按AMCA International標準301計算。所示值為安裝類型B：自由入口·管道出口的聲功率級(出口Lwo和出口LwoA)。額定值包括管道端部校正影響。所示聲功率級額定值以分貝為單位。參考聲功率為10-12瓦。按照AMCA International標準301計算。  
 Lwo : Sound power level transmitted to the outlet duct from fan 風機聲功率由出口管傳送測得  
 LwoA : Sound power level at outlet , A-weighted 風機出口聲功率·經A加權



## Drawings / Dimensions

### 外觀尺寸



K1~K3 may vary with motor size (K1~K3隨使用馬達規格變更)

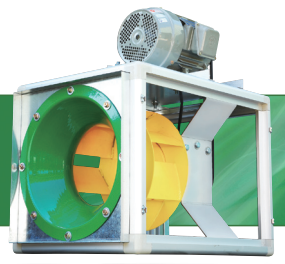
| Model<br>ILF | Dimensions in millimeter 尺寸(mm) |      |     |       |      |      |      | Shaft Dia.<br>軸徑(mm) | Outlet Area<br>出口面積(m) |
|--------------|---------------------------------|------|-----|-------|------|------|------|----------------------|------------------------|
|              | A                               | B    | C   | D     | W    | H    | L    |                      |                        |
| ILF-355      | 430                             | 390  | 150 | 226.5 | 490  | 490  | 620  | 30                   | 0.15                   |
| ILF-400      | 495                             | 455  | 169 | 256   | 555  | 555  | 700  | 35                   | 0.21                   |
| ILF-450      | 560                             | 520  | 190 | 287   | 620  | 620  | 786  | 35                   | 0.27                   |
| ILF-500      | 630                             | 550  | 211 | 318   | 690  | 690  | 873  | 40                   | 0.30                   |
| ILF-560      | 675                             | 635  | 237 | 358   | 775  | 775  | 978  | 40                   | 0.40                   |
| ILF-630      | 770                             | 730  | 267 | 402.6 | 870  | 870  | 1100 | 45                   | 0.53                   |
| ILF-710      | 880                             | 840  | 301 | 453   | 980  | 980  | 1240 | 45                   | 0.71                   |
| ILF-800      | 1005                            | 965  | 339 | 512   | 1105 | 1105 | 1397 | 50                   | 0.93                   |
| ILF-900      | 1143                            | 1103 | 382 | 574   | 1243 | 1243 | 1572 | 50                   | 1.22                   |
| ILF-1000     | 1281                            | 1241 | 424 | 636   | 1381 | 1381 | 1746 | 55                   | 1.54                   |
| ILF-1120     | 1447                            | 1407 | 475 | 719   | 1547 | 1547 | 1958 | 55                   | 1.98                   |
| ILF-1250     | 1626                            | 1586 | 530 | 800   | 1726 | 1726 | 2185 | 60                   | 2.52                   |

※若馬力過大時，軸徑尺寸會配合修正。





**ILF** Series









陽鼎實業股份有限公司  
FLOWTECH CO., LTD.

## THE FLOWTECH GROUP

---

- TAIPEI 台北總公司  
19F-5, No.1, Pao-sheng Rd., Yong-Ho City, Taipei County, Taiwan 234  
234 台北縣永和市保生路一號19樓之5  
Tel: +886 2-2232-8066 Fax: +886 2-2231-0285~6  
E-mail: ydc28066@ms36.hinet.net , flow.tech@msa.hinet.net

- Factory 冬山廠  
No.658, Meilin Rd., De-an Village, Dongshan Shiang ,  
Yilan County , Taiwan 269  
269 宜蘭縣冬山鄉得安村梅林路658號  
Tel: +886 3-9612-449 Fax: +886 3-9615-843

- Lab 冬山實驗室  
NO.102 NeiHu 1St Rd, Dongshan Township, Yilan county ,  
Taiwan 269  
269 宜蘭縣冬山鄉內湖一路102號  
Tel: +886 039-612-449 Fax: +886 039-615-843

CNo. : CAT-ILF0409. March 2020

AGENT(經銷商):